

Formulate 20' Vertical Curve

FMLT-WV20-01

Formulate® is a collection of sophisticated, ergonomically designed exhibit booths. Formulate combines state-of-the-art zipper pillowcase dye-sublimated fabric coverings with advanced lightweight aluminum structures to provide unique design, functionality, and style. The excellence of the Formulate line of displays, hanging structures and products is simply unmatched. Stretch fabric graphics are hand-sewn, durable and dry-cleanable.



features and benefits:

- State-of-the-art 30mm aluminum tubing with push-button connectors
- Easy to store and ship
- Frame can also be configured* as a standard 10' backwall
(*requires additional 10' graphic purchase)
- Kit includes: one frame, one dye-sublimated zipper pillowcase graphic, and two wheeled molded OCL storage cases
- Lifetime hardware warranty against manufacturer defects

dimensions:

Hardware	Graphic
<p>Assembled unit: 232" w x 91.71" h x 24" d 5893mm(w) x 2329mm(h) x 610mm(d)</p> <p>Approximate weight with cases: 134 lbs / 61 kgs</p>	<p>Refer to related graphic template for more information.</p> <p>Visit: www.exhibitors-handbook.com/graphic-templates</p>
<p>Shipping</p> <p>Packing case(s): 2 OCL</p> <p>Shipping dimensions: 56" l x 19" h x 19" d 1422mm(l) x 483mm(h) x 483mm(d)</p> <p>Approximate total shipping weight (includes cases & graphics): 150 lbs / 68 kgs</p>	<p>additional information:</p> <p>Graphic material: Dye-sublimated zipper pillowcase fabric</p> <p>Optional accessories: Lumina 8-50 watt halogen lighting, literature pocket, stand-off literature rack, stand-off graphic shelf, graphic header, larger freight cases</p>

We are continually improving and modifying our product range and reserve the right to vary the specifications without prior notice. All dimensions and weights quoted are approximate and we accept no responsibility for variance. E&OE. See Graphic Templates for graphic bleed specifications.

Included In Your Kit

Tools, Components, & Connectors



ALLEN KEY SET x1



LN114-SCRW x3



TC-30-90T x2



PLT-BP-WVC-STD x3

Graphics



FMLT-WV20-01-G x1

Included In Your Kit



WV10-01-T2-R x1



WV10-01-T2-L x1



WV10-01-T4 x2



WV10-01-T5 x2

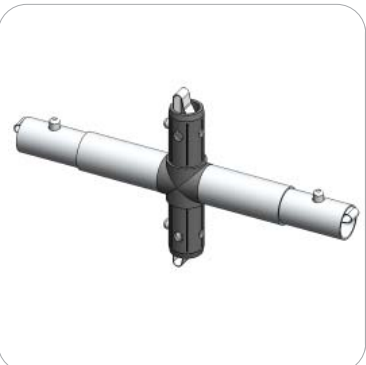


WV10-01-T7 x2

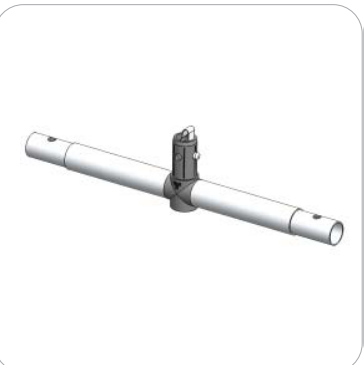
Tubes



WV20-01-T1 x1



WV20-01-T2 x1



WS-01-T1 x1



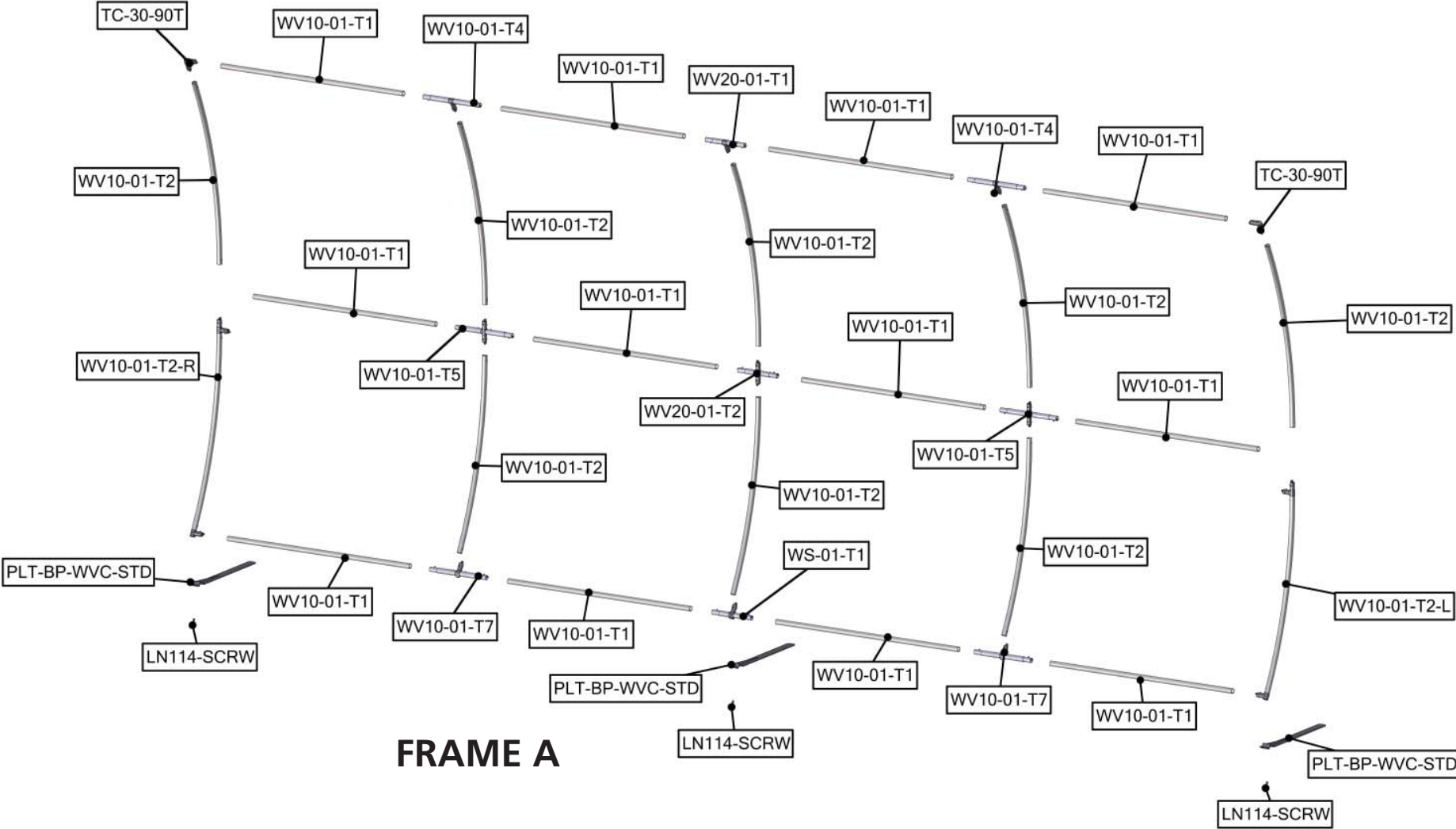
WV10-01-T1 x12



WV10-01-T2 x8

Exploded View

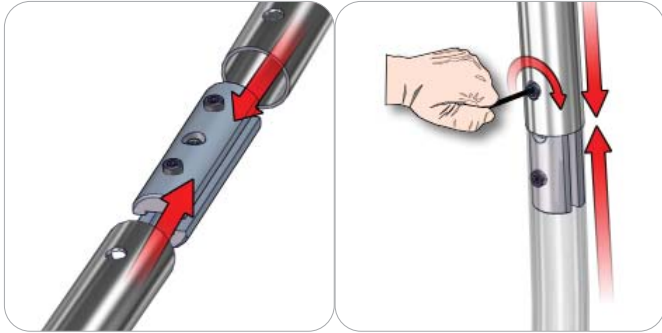
FMLT-WV20-01



Connection Methods

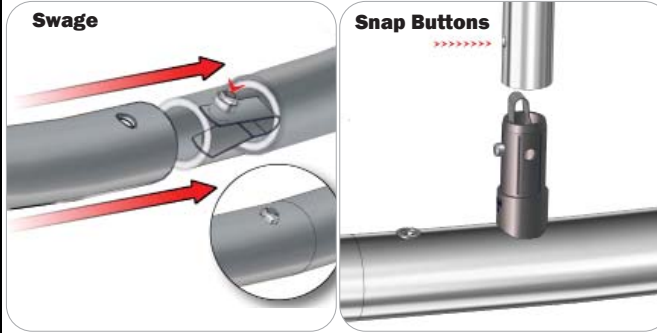
Formulate® structures use a number of different yet simple connection methods. Your kit will include one or more of the connection methods shown below. Steps within the Kit Assembly will reference a specific method for each connection point.

Connection Method 1: ES30 / ES50 / ES75



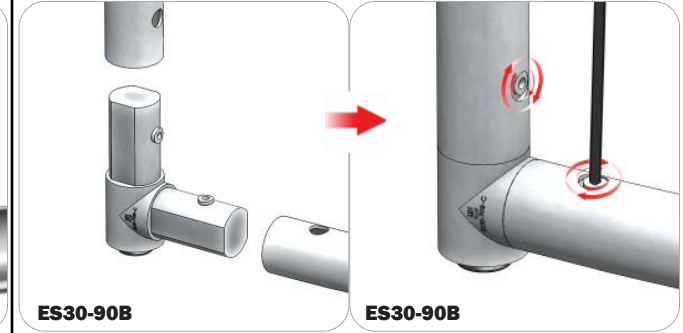
Compress the unlocked connector and slide one tube onto each end. Lock both screws carefully using your allen key tool. Be sure to lock securely, but do not overtighten.

Connection Method 2: Snap Buttons & Swage



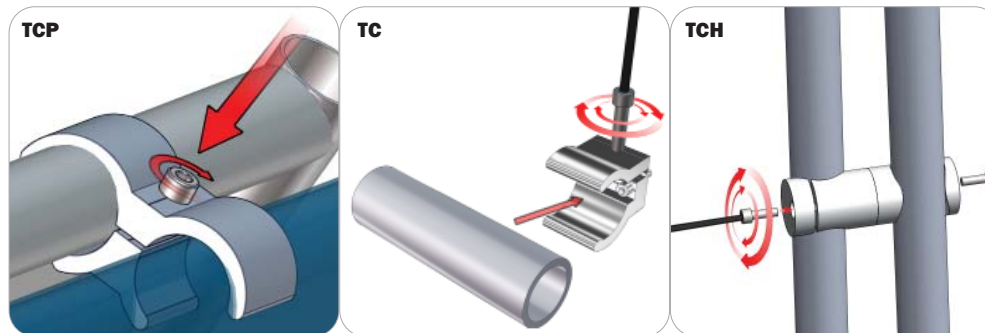
Locate the snap button on the connector or swage tube. Locate the hole on the corresponding tube. Press the snap button with your thumb and slide the tube and connector together so that the snap button snaps fully into the lock hole. To disassemble, press the snap button and pull apart.

Connection Method 3: ES30-90B / ES30-I / ES30-C



Compress one unlocked end of the connector and slide it through one tube end. Compress the other end of the connector and slide the second tube on. Lock both screws carefully using your allen key tool. Be sure to lock securely, but do not overtighten.

Connection Method 4: Tube Clamps



Be sure to fully assemble all frames before using clamps. With the clamp unlocked, place one tube of the first frame into the mouth of the clamp. Place the second tube (if applicable) into the second mouth of the clamp. With both frame's tubes in the clamp, be sure to lock securely, but do not overtighten.

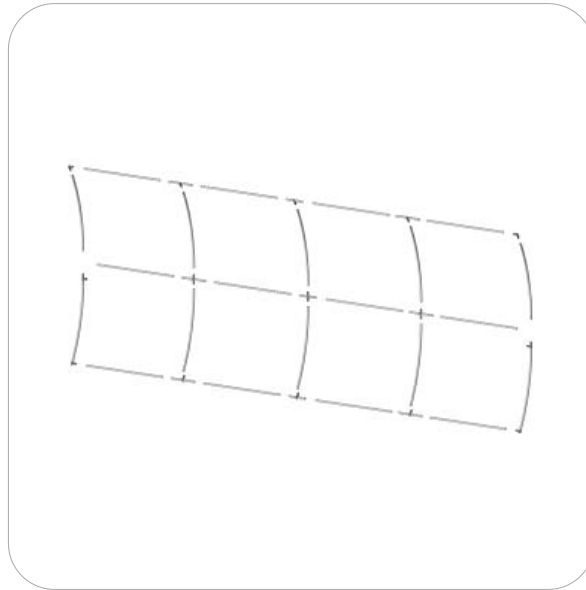
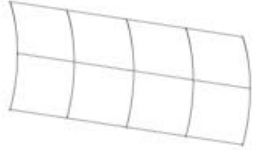
Kit Assembly

Step by Step

Step 1.

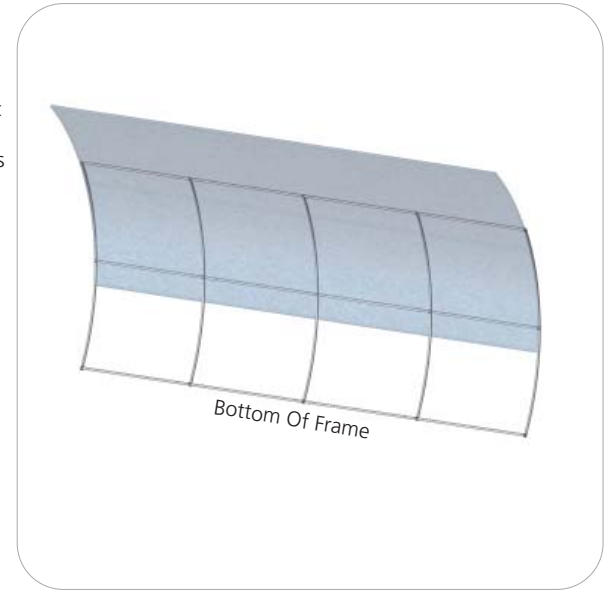
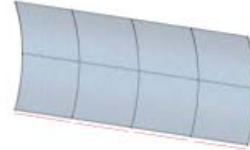
Locate the components for Frame A. With the snap buttons, assemble the frame in order according to the tube label numbers.

Please reference Connection Method 2 for more details.



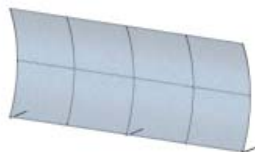
Step 2.

Apply graphic to Frame A. For ease of installation, pull the fabric cover from the top to the bottom of the frame while the frame rests flat on the floor. Zip to enclose.



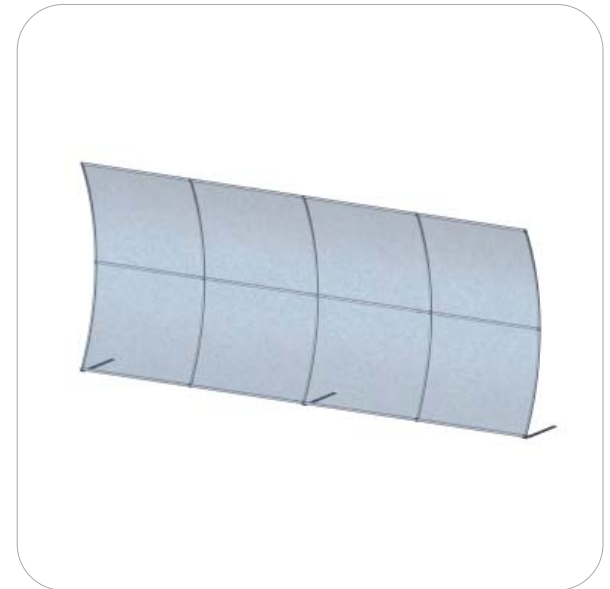
Step 3.

Using the provided allen key set, attach the stabilizing bases to frame as shown in the figure to the right.



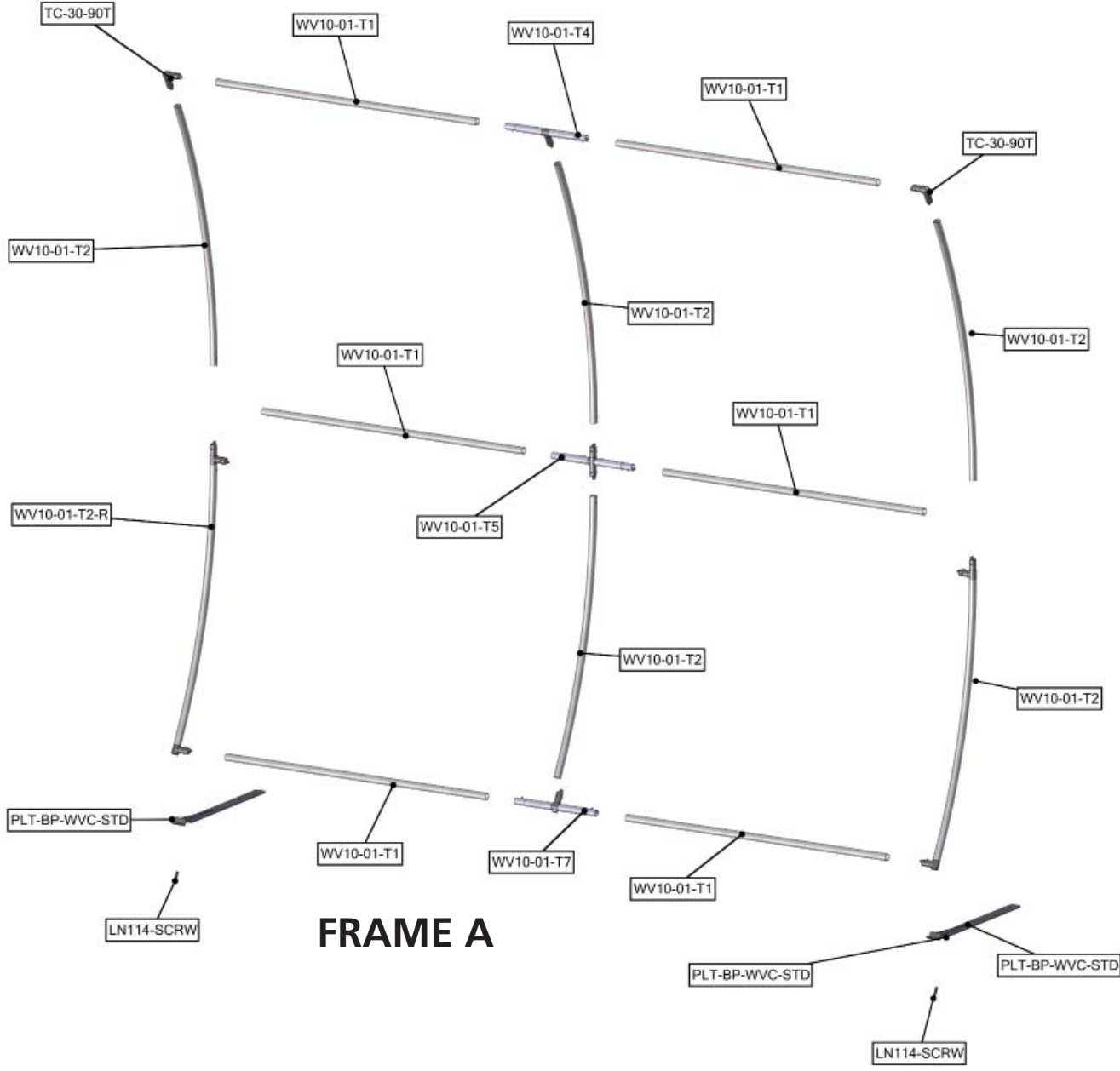
Step 4.

Setup Complete.



Exploded View

FMLT-WV20-01 - 10' Frame Option



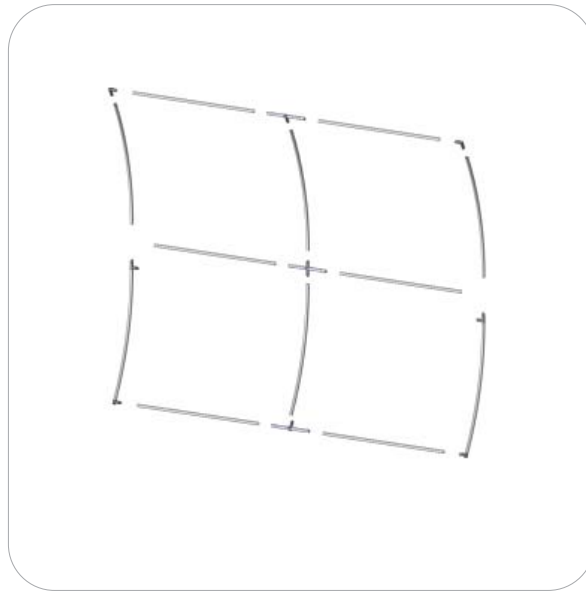
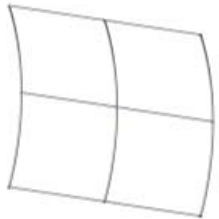
Kit Assembly

Step by Step

Step 1.

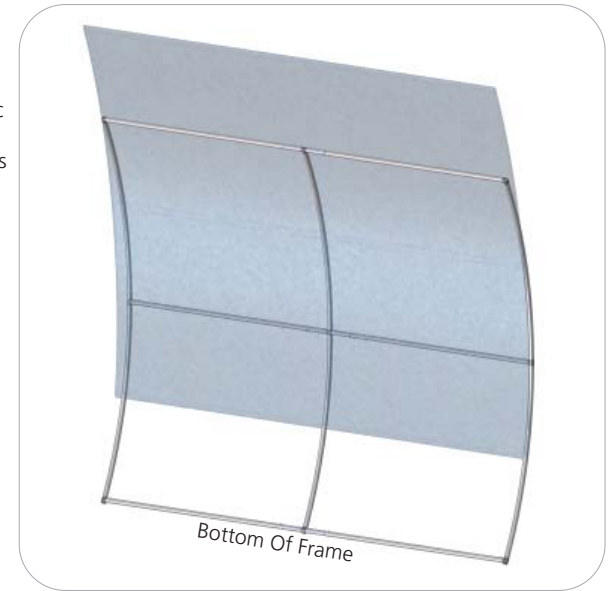
Locate the components for Frame A. With the snap buttons, assemble the frame in order according to the tube labels.

Please reference Connection Method 2 for more details.



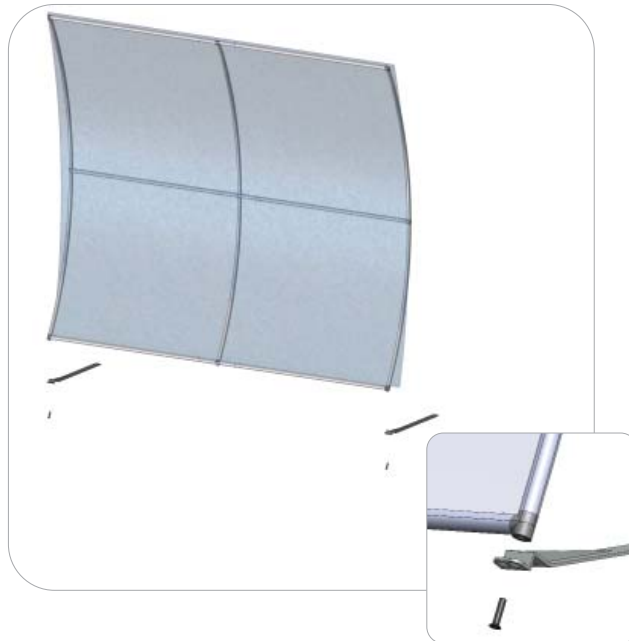
Step 2.

Apply graphic to Frame A. For ease of installation, pull the fabric cover from the top to the bottom of the frame while the frame rests flat on the floor. Zip to enclose.



Step 3.

Using the provided allen key set, attach the stabilizing bases to frame as shown in the figure to the right.



Step 4.

Setup Complete.

