

# Linear Pro Kit 26

## LN-K-3P-26

Linear Pro Kits provide a modern, slick and stylish appearance. The extrusion based exhibits feature a Velcro-applied fabric center graphic, UV printed or frosted plex headers and wings, as well as a pillowcase fabric canopy.



## features and benefits:

- Custom appearance
- Easy to assemble
- Velcro-applied fabric center graphic
- Comes with your choice of frosted plex or PVC graphic wings and headers
- Pillowcase C-shaped fabric canopies
- Installation tool included
- Aluminum construction: vertical extrusions 75 mm x 50 mm
- Tabletops available in four color options
- Kit includes four OCH cases, four v-leg tables, and four 50 watt spotlights
- Lifetime hardware warranty against manufacturer defects

## dimensions:

Hardware	Graphic
Assembled unit: 240" w x 99.1" h x 30.6" d approx. 6095mm(w) x 2518mm(h) x 778mm(d)	Refer to related graphic template for more information.  Visit: <a href="http://www.exhibitors-handbook.com/graphic-templates">www.exhibitors-handbook.com/graphic-templates</a>
Shipping	
Shipping dimensions - ships in four cases OCH case: 50" l x 26" w x 10" h 1270mm(l) x 660mm(w) x 254mm(h)	
Approximate shipping weight (entire kit): 275 lbs / 124.7 kgs	

## additional information:

Panel materials:  
Center graphic: Oxford

Headers & wings:  
Single-sided frosted acrylic, or printed PVC

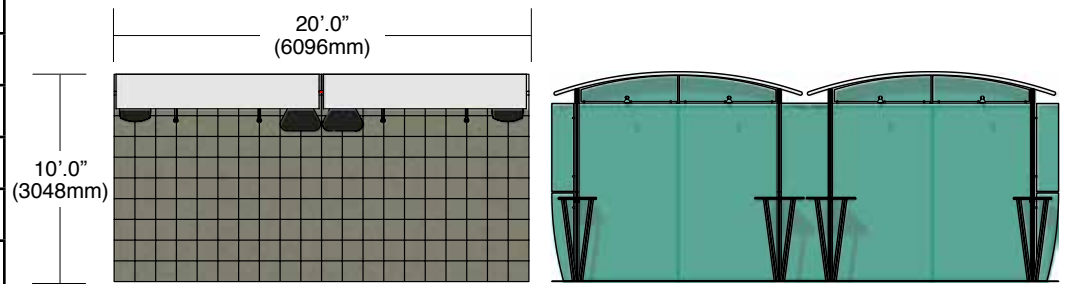
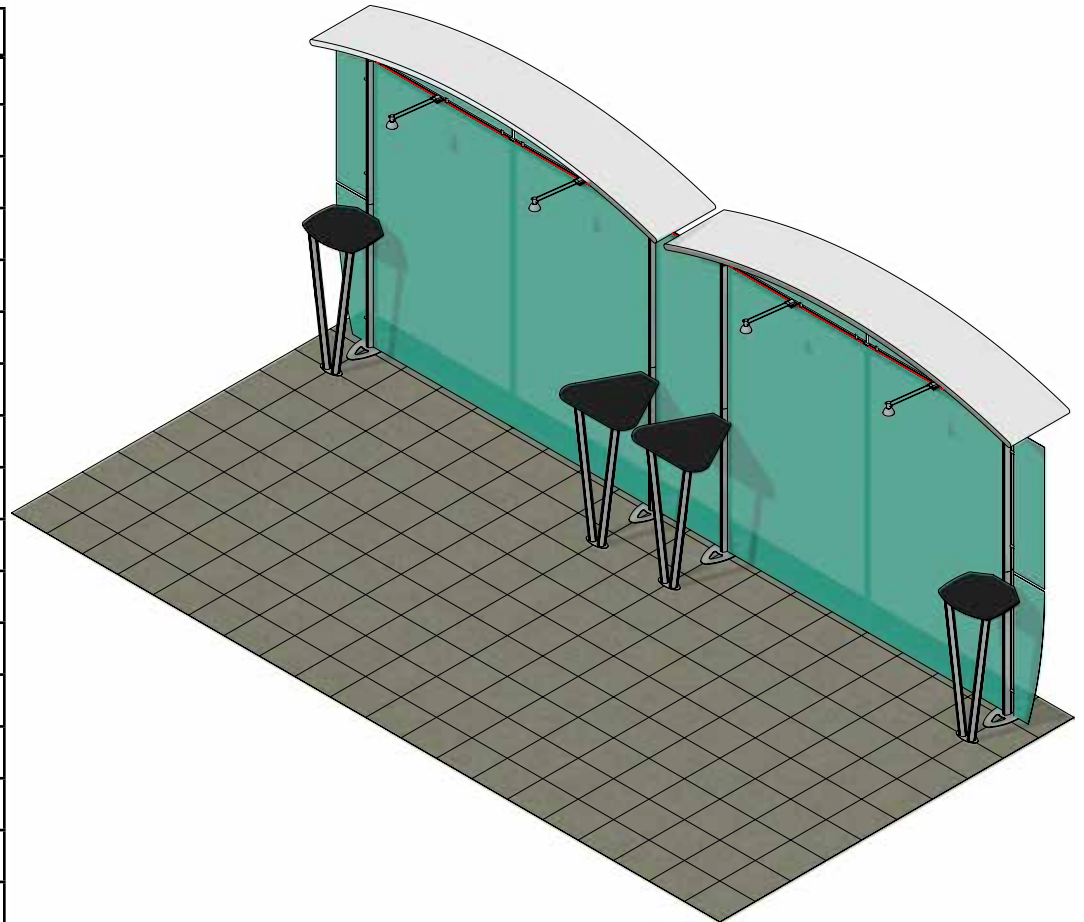
Tabletops (each): max weight:  
25 lbs / 11.34 kgs

### Tabletop Colors:



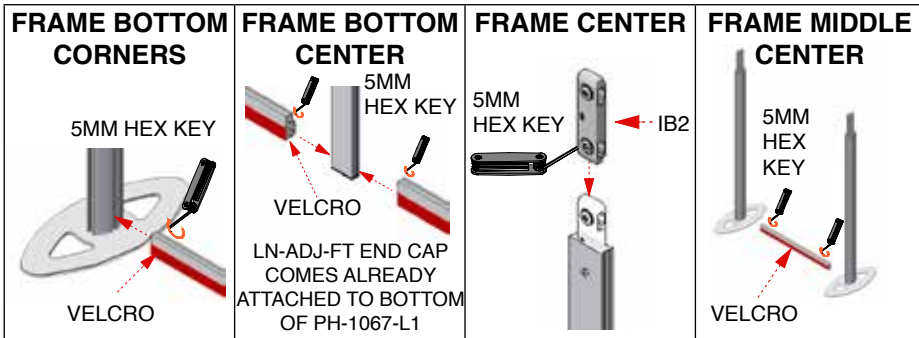
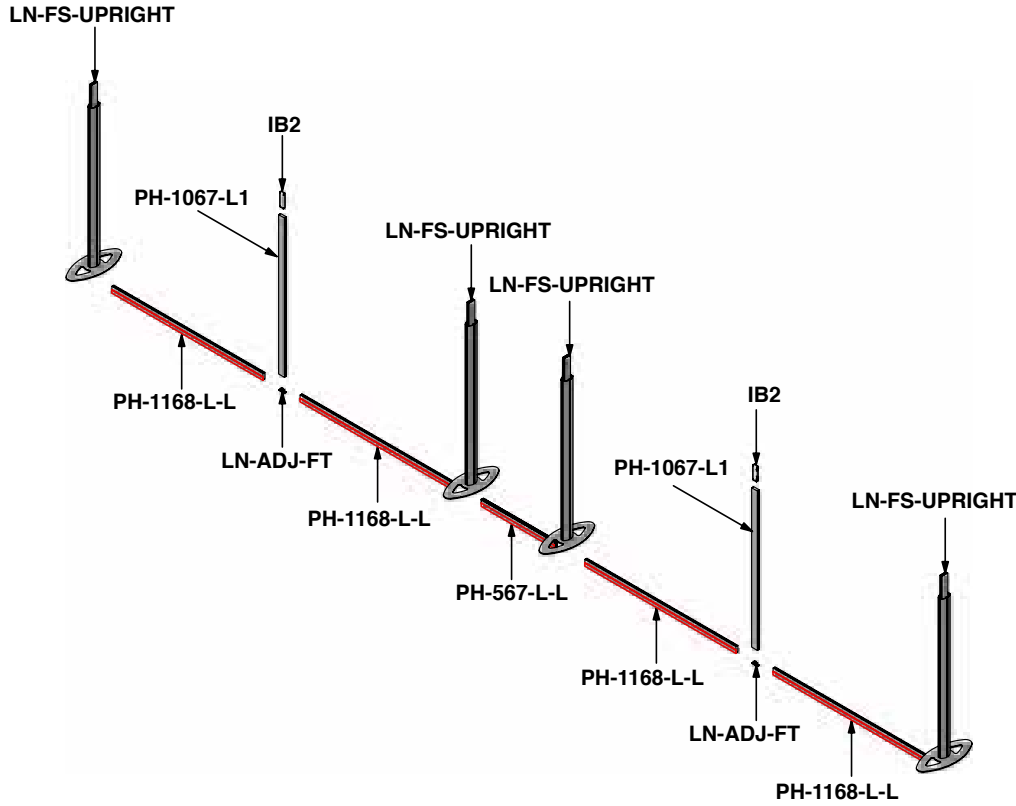
We are continually improving and modifying our product range and reserve the right to vary the specifications without prior notice. All dimensions and weights quoted are approximate and we accept no responsibility for variance. E&OE. See Graphic Templates for graphic bleed specifications.

Parts Included		
Part Label	Qty	Part Description
LN-FS-UPRIGHT	x4	LN-FS-UPRIGHT - LINEAR UPRIGHT WITH FOOT
PH-1168-L-L	x8	1168MM (46") LENGTH OF PH EXTRUSION WITH CAM LOCK BOTH SIDES
PH-1067-L1	x4	1067MM (42") PH LOCK HOLE ONE SIDE
PH-567-L-L	x2	567MM PH WITH LOCK ONE END & CAP
LN-ADJ-FT	x2	LINEAR ADJUSTING FOOT
IB2	x2	INLINE BRACKET
PM30-1067	x4	1067MM (42") PM30 OPEN ENDS
LN605-EN	x2	PH END CAP
WME-1000	x12	1000MM (39.375") WIRE MANAGEMENT EXTRUSION W/ VELCRO
LN-10X10-FG	x2	LINEAR 10X10 FABRIC CENTER GRAPHIC
LN-26-HW-A-G	x1	LINEAR KIT 26 HEADER/WING GRAPHIC A
LN-26-HW-B-G	x1	LINEAR KIT 26 HEADER/WING GRAPHIC B
LN-26-HW-C-G	x1	LINEAR KIT 26 HEADER/WING GRAPHIC C
LN-26-HW-D-G	x1	LINEAR KIT 26 HEADER/WING GRAPHIC D
LN-26-HW-E-G	x1	LINEAR KIT 26 HEADER/WING GRAPHIC E
LN-26-HW-F-G	x1	LINEAR KIT 26 HEADER/WING GRAPHIC F
LN-26-HW-E-G	x1	LINEAR KIT 26 HEADER/WING GRAPHIC G
LN-26-HW-F-G	x1	LINEAR KIT 26 HEADER/WING GRAPHIC H
LN-CAN-K-C	x2	LINEAR CANOPY KIT, C-SHAPE
LN-TBL-V-LEG-STD	x2	LINEAR V-LEG STANDARD TABLE TOP *FINISH MAY VARY
LN-TBL-V-LEG-TRI	x2	LINEAR V-LEG TRIANGLE TABLE TOP *FINISH MAY VARY
PANEL CLAMP	x20	PANEL CLAMP
PHFC2-150-L	x4	150MM PHFC2 W/ONE LOCK
LN-LT-FXT	x4	LINEAR LIGHT FIXTURE HOLDER
LUM 8	x4	LUMINA 8 LIGHT
ALLEN KET SET	x2	ALLEN KEY MULTI-TOOL (HEX KEY TOOL)



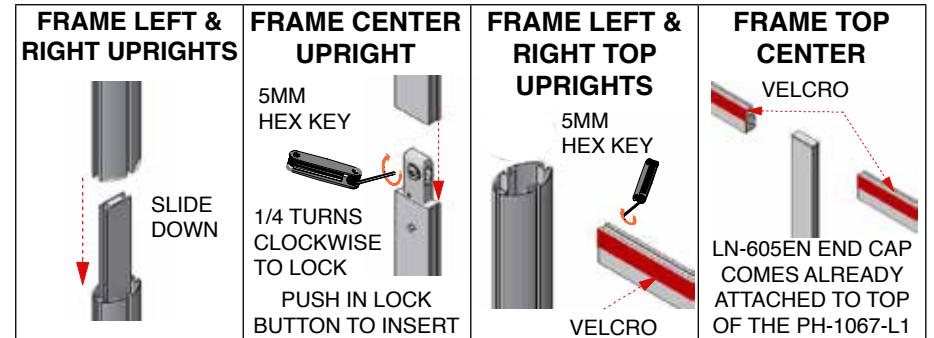
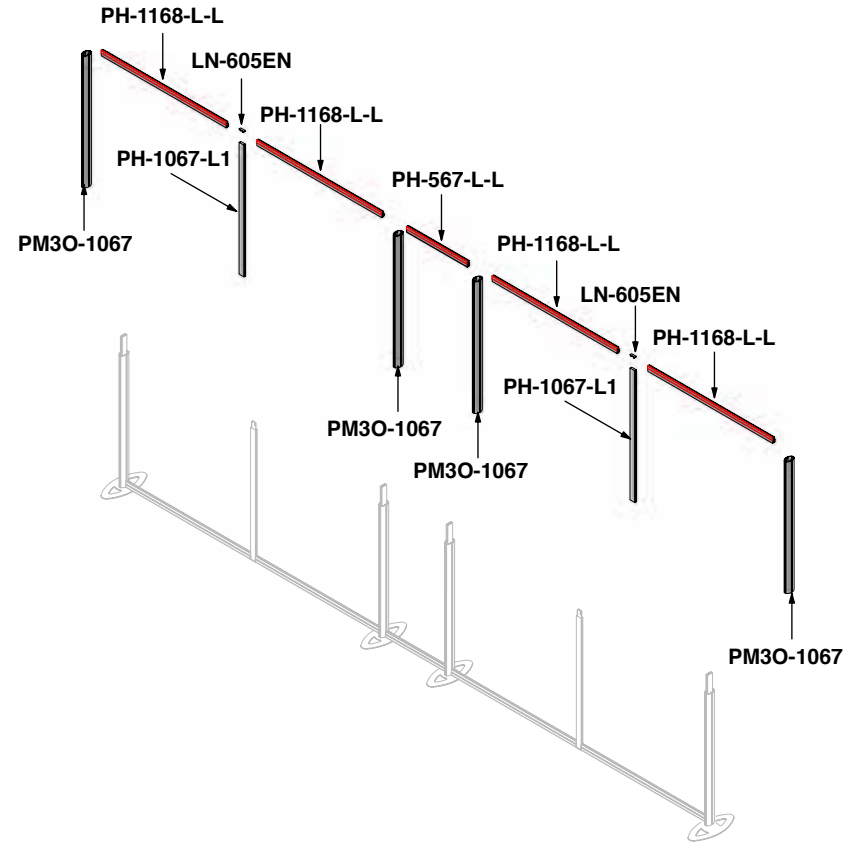
### Step 1. Assemble the bottom of the frame

Using the 5MM HEX KEY, attach each PH-1168-L-L and both sides of the PH-567-L-L to the LN-FS-UPRIGHT's with the velcro facing front. Attach the opposite ends of the PH-1168-L-Ls to the PH-1067-L1 uprights using the 5MM HEX KEY. Once all are attached, use the 5MM HEX KEY to depress the IB2 lower button and insert into the top of the PH-1067-L1s, DO NOT LOCK.



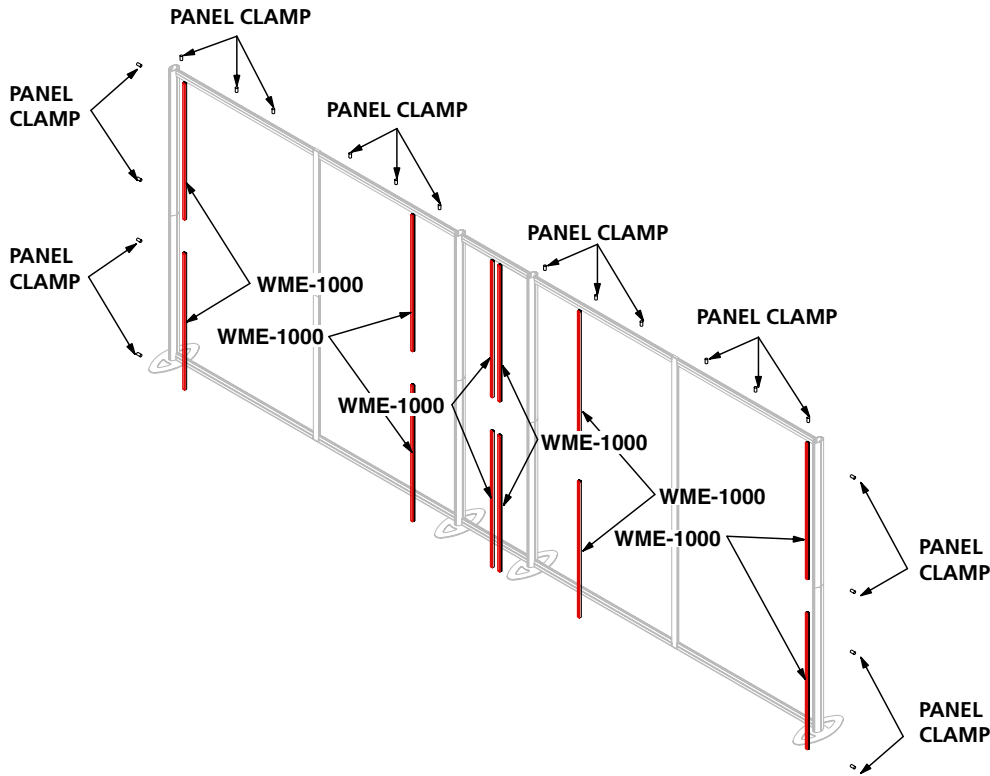
### Step 2. Assemble the top of the frame

Make sure the velcro is facing towards the front and slide the left and right PM30-1067s onto the LN-FS-UPRIGHT on the left and right ends of the frame. Push in the lock button to slide and attach the two PH-1067-L1s to the IB2s below, then lock both buttons. Attach PH-1168-L-Ls and the PH-567-L-L to the PM30-1067s and PH-1067-L1s using the 5MM HEX KEY.

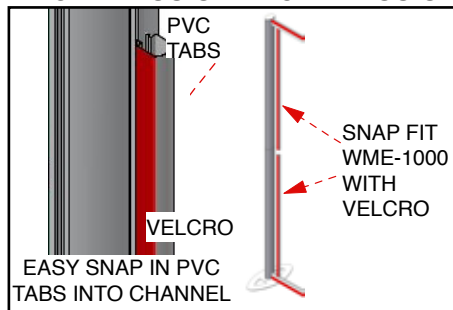


**Step 3. Attach graphic support & adhere PANEL CLAMP for graphic headers/wings**

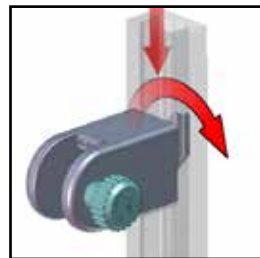
Snap attach the WME-1000 (graphic support) onto the frame inside the left and right uprights of the left, center, and right frame sections. Make sure the velcro is facing towards the front. Insert the 20 PANEL CLAMP into the outside perimeter channels and turn clockwise to lock, other locking screws should be loose. Evenly space out the standoffs for each header or wing.



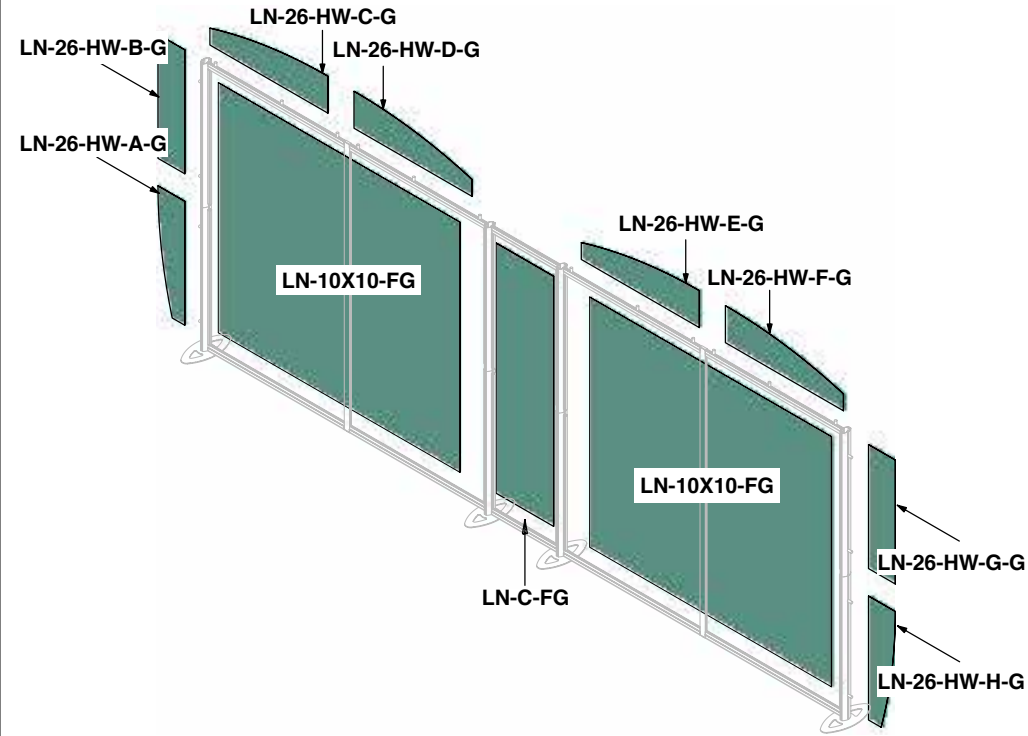
**PVC EXTRUSION PVC EXTRUSION**



**PANEL CLAMP ATTACHMENT**



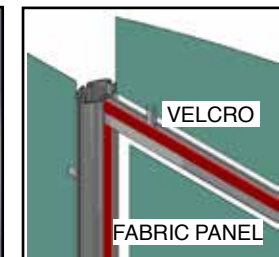
**Step 4. Attach graphic headers/wings, right and left graphic, and center graphic**  
Screw the PANEL CLAMP clockwise into channel until it is tight. Loosen the THUMBSCREW, place rigid sintra panel graphic and tighten in place. Velcro attach the LN-10X10-FG (left & right large fabric graphics) and the LN-C-FG (center fabric graphic) to the frame starting at the top left corner. Continue to velcro attach the graphics to the frame ending in the bottom right corner.



**HEADER/WING ATTACHMENT**

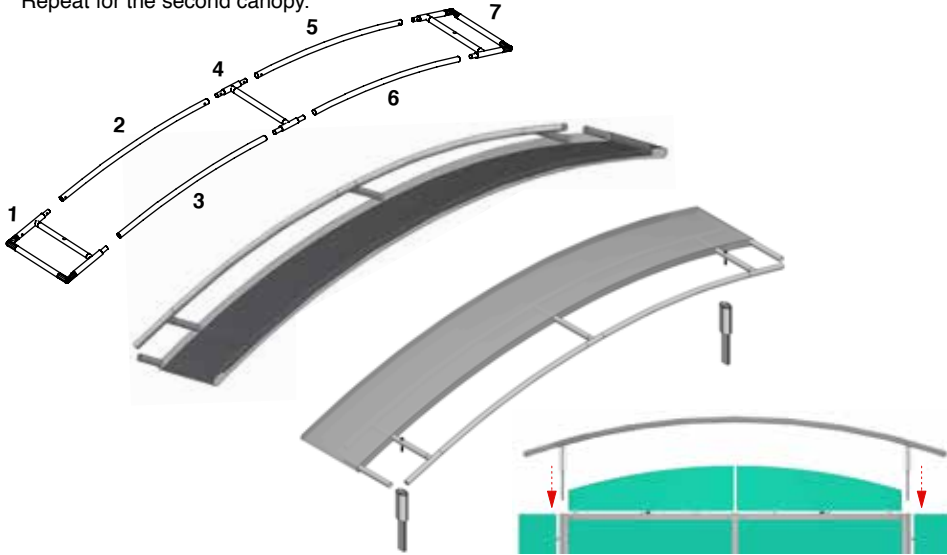


**FABRIC PANEL TOP LEFT**



### Step 5. Attach c-shaped canopies

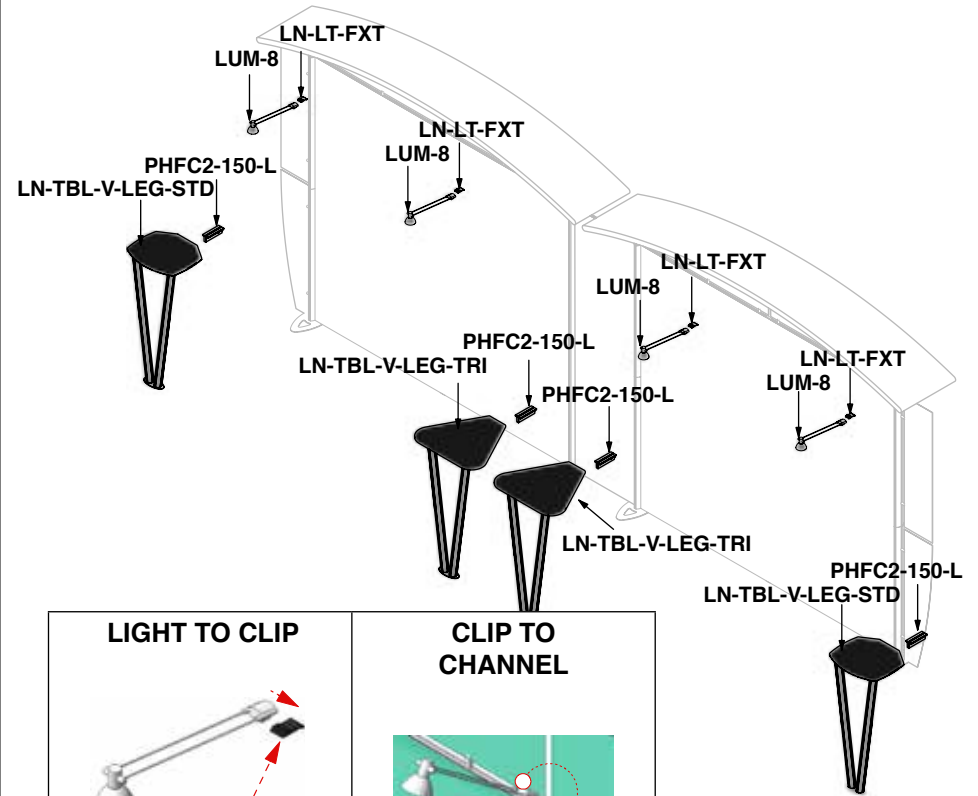
Assemble each frame in order using the number key to attach the tubes and hubs. Pull over the pillowcase and insert the screws through frame parts 1, 7, and the pillowcase slots. Loosely fasten canopy post mounts to screws, DO NOT ZIPPER. Last, slide the post mounts onto the frame and tighten using the 8MM HEX KEY, then zipper the pillowcase. Repeat for the second canopy.



<p><b>C-CANOPY FRAME</b></p> <p>PUSH PINS TO ASSEMBLE THE FRAME</p>	<p><b>C-CANOPY PILLOW CASE &amp; SCREW</b></p> <p>PILLOW CASE SCREWS SLOTS</p>	
<p><b>C-CANOPY SCREW &amp; SHORT POST</b></p> <p>SHORT POST</p> <p>LOOSELY FASTEN CANOPY POST MOUNTS TO SCREWS</p>	<p><b>C-CANOPY POST TO BACKWALL</b></p> <p>SLIDE IN POST MOUNTS ONTO FRAME</p>	<p><b>C-CANOPY POST TO BACKWALL</b></p> <p>TIGHTEN SCREWS WITH 8MM HEX KEY THEN ZIPPER PILLOW CASE</p>

### Step 6. Assemble lights & tables & attach to backwall

Slide the light fixture LUM-8 onto the light clip LN-LT-FXT. Lift and rest light clip onto top of horizontal channel and run the wires in between and behind the panels. Slide the PHFC2-150-L into the underside of the table. Fasten the table legs to the underside of the table top using the THUMB SCREWS. Once finished turn table over and attach it to the backwall frame (LN-FS-UPRIGHT) using the 5MM HEX KEY on the PHFC2-150-L. Repeat for all of the other table.



<p><b>LIGHT TO CLIP</b></p> <p>LUM-8 LN-LT-FXT</p>	<p><b>CLIP TO CHANNEL</b></p>	
<p><b>TABLE TOP</b></p> <p>PHFC2-150-L PHFC2-150-L</p> <p>ATTACH PH END CAP'S TO PHFC2-150-L'S</p>	<p><b>TABLE LEG</b></p> <p>APPLY V-LEG ONTO UNDERSIDE OF TABLES WITH THUMB SCREWS</p>	<p><b>TABLE SETUP</b></p> <p>5MM HEX KEY LN-FS-UPRIGHT</p>

# Check out these related products:

---



Linear Pro Kit 22



Linear Pro Kit 25



Linear Pro Kit 26



Linear Pro Kit 27

---