

# Blok

## BLOK-850

This stylish banner stand is the perfect addition to any display. Easy to use with a snap rail and bungee pole, assembly and breakdown are a snap. The rectangular base is a simple yet striking compliment to any banner graphic.



## features and benefits:

- 3-piece bungee pole
- Snap top graphic rail
- Black base with chrome end caps
- Includes carry bag
- Standard height of 79.25"
- Quick and easy to assemble
- Five year warranty against all manufacturer defects

## dimensions:

Hardware	Graphic
<p>Assembled unit: 35.5" w x 83.34" h x 3.75" d 902mm(w) x 2117mm(h) x 95.25mm(d)</p> <p>Base dimensions: 35.5" l x 3.75" w x 2.25" h (12' d with swivel feet) 902mm(l) x 95.25mm(w) x 57.15mm(h)</p> <p>Weight (including carry bag): 10.7 lbs / 3.83 kg approx. (Installed graphic add weight)</p> <p>Bag dimensions: 35.5" l x 9.5" w x 3" h 16mm(l) x 4.3mm(w) x 1.4mm(h)</p>	<p>Total visible area: 33.5" w x 79.25" h 15mm(w) x 36mm(h)</p> <p>(plus 1/2" (.23mm) bleed at top and 6" (3mm) bleed at bottom)</p>

## Shipping

Shipping dimensions - ships in one box:  
38" l x 12" w x 5" h  
965mm(l) x 305mm(w) x 127mm(h)

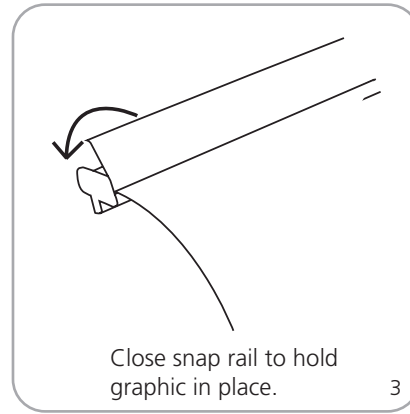
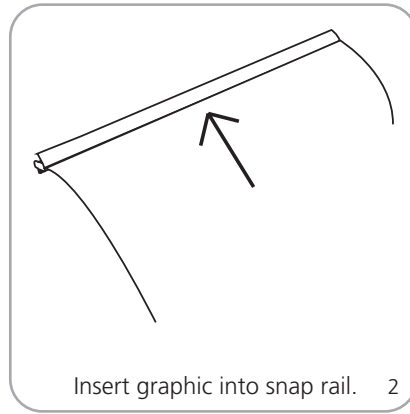
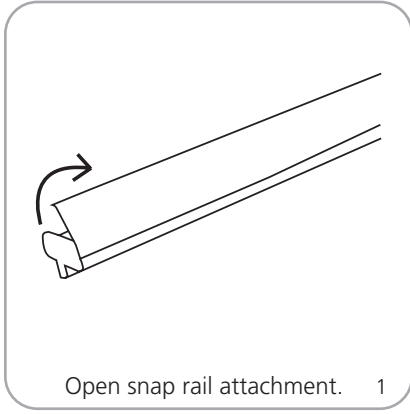
Approximate shipping weight:  
13 lbs / 6 kgs

## additional information:

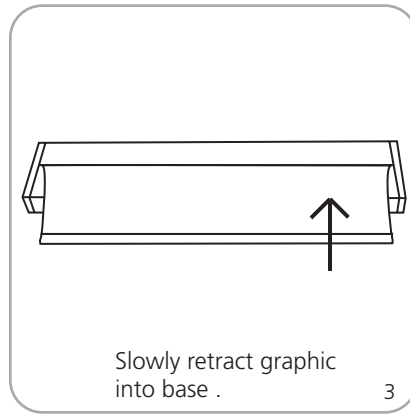
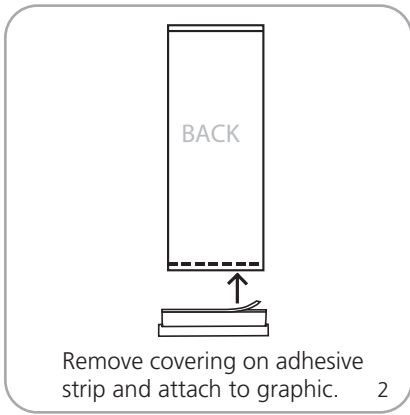
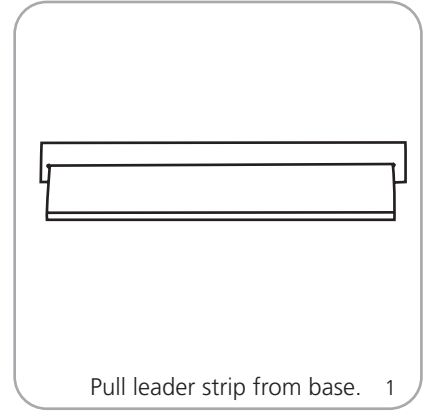
Graphic material:  
anti-curl vinyl, premium 100% opaque fabric,  
supreme melinex

We are continually improving and modifying our product range and reserve the right to vary the specifications without prior notice. All dimensions and weights quoted are approximate and we accept no responsibility for variance. E&OE. See Graphic Templates for graphic bleed specifications.

### Snap Top Rail Attachment



### Bottom Graphic Attachment



### Banner Stand Assembly

