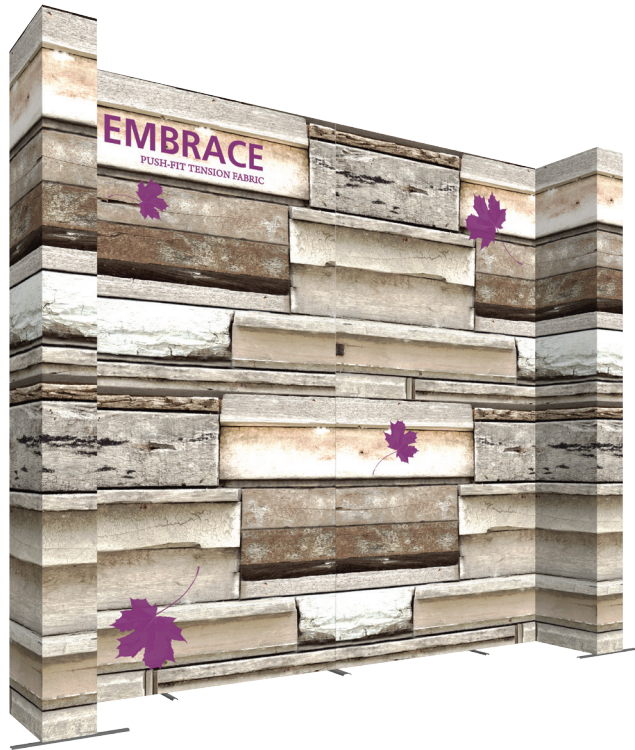


Embrace - Stack & Link

Embrace™ Fabric Backwalls can be stacked one top of another to create a near 15' tall backwall for use in tradeshow, retail environments, events and more. With the use of a special clamping system and stabilizing feet, stacking and building high is made easy. Embrace Stacking Kits include your choice of backwall width and your choice of either single or double-sided graphics.



features and benefits:

- Lighter weight anodized silver frame
- Choice of single or double-sided graphics with front or full fitted with endcaps
- Additional stacking and linking options now available
- Simple assembly
- Perimeter channel bars connect to frame and hold push-fit fabric graphics
- Rolling carry bags included.
- Lifetime hardware warranty against manufacturer defects

dimensions:

Hardware:

Assembled Dimensions:

2x3:

80.1" w x 177.25" h x 51.95" d
2035mm(w) x 4502mm(h) x 1320mm(d)

3x3:

109" w x 177.25" h x 51.95" d
2769mm(w) x 4502mm(h) x 1320mm(d)

4x3:

137.85" w x 177.25" h x 51.95" d
3501mm(w) x 4502mm(h) x 1320mm(d)

QD 3x3:

219.75" w x 177.25" h x 51.95" d
5582mm(w) x 4502mm(h) x 1320mm(d)

QD 4x3:

275" w x 177.25" h x 51.95" d
6985mm(w) x 4502mm(h) x 1320mm(d)

Shipping:

*Please refer to page 2 for shipping information

Graphics:

Refer to related graphic template for more information.

Visit exhibitors-handbook.com/graphic-templates

additional information:

- * Lights not included.
- * Stacking units require at least one return wall.
- * Do not attempt to connect frames lying on the floor. Frames must always be upright when assembling stacking configurations.

We are continually improving and modifying our product range and reserve the right to vary the specifications without prior notice. All dimensions and weights quoted are approximate and we accept no responsibility for variance. E&OE. See Graphic Templates for graphic bleed specifications.

Embrace Stack & Link Shipping Dimensions

Shipping:

Hardware Only

EMB-STCKD-02x3:

- Box 1: 38"L x 15"H x 9"D / 35lbs
965mm(L) x 381mm(H) x 229mm(D) / 16kg
- Box 2: 38"L x 15"H x 9"D / 35lbs
965mm(L) x 381mm(H) x 229mm(D) / 16kg
- Box 3: 35"L x 15"H x 9"D / 31lbs
889mm(L) x 381mm(H) x 229mm(D) / 14kg
- Box 4: 35"L x 15"H x 9"D / 31lbs
889mm(L) x 381mm(H) x 229mm(D) / 14kg

EMB-STCKD-03x3:

- Box 1: 37"L x 15"H x 9"D / 42lbs
965mm(L) x 381mm(H) x 229mm(D) / 19kg
- Box 2: 37"L x 15"H x 9"D / 42lbs
965mm(L) x 381mm(H) x 229mm(D) / 19kg
- Box 3: 35"L x 15"H x 9"D / 33lbs
889mm(L) x 381mm(H) x 229mm(D) / 15kg
- Box 4: 35"L x 15"H x 9"D / 33lbs
889mm(L) x 381mm(H) x 229mm(D) / 15kg

EMB-STCKD-04x3:

- Box 1: 38"L x 15"H x 9"D / 48lbs
965mm(L) x 381mm(H) x 229mm(D) / 22kg
- Box 2: 38"L x 15"H x 9"D / 48lbs
965mm(L) x 381mm(H) x 229mm(D) / 22kg
- Box 3: 35"L x 15"H x 9"D / 36lbs
889mm(L) x 381mm(H) x 229mm(D) / 16kg
- Box 4: 35"L x 15"H x 9"D / 36lbs
889mm(L) x 381mm(H) x 229mm(D) / 16kg

EMB-QD-STCKD-03x3:

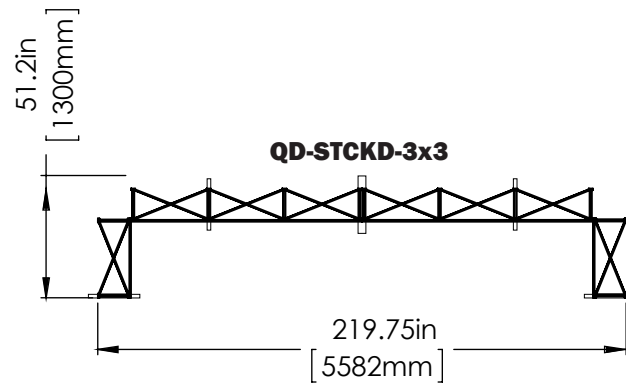
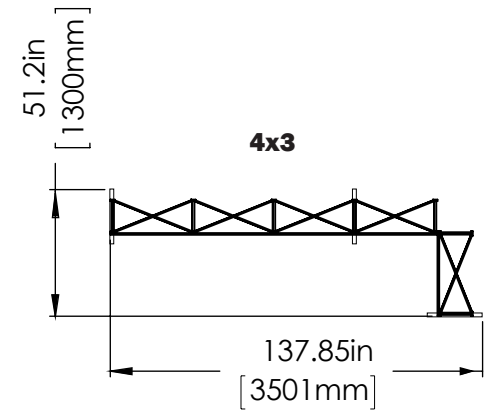
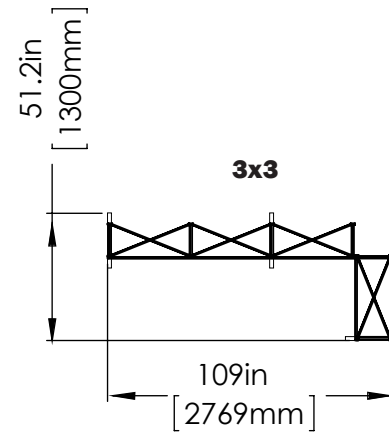
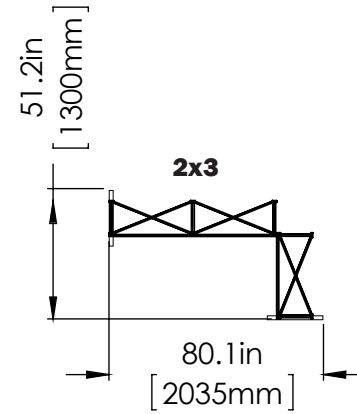
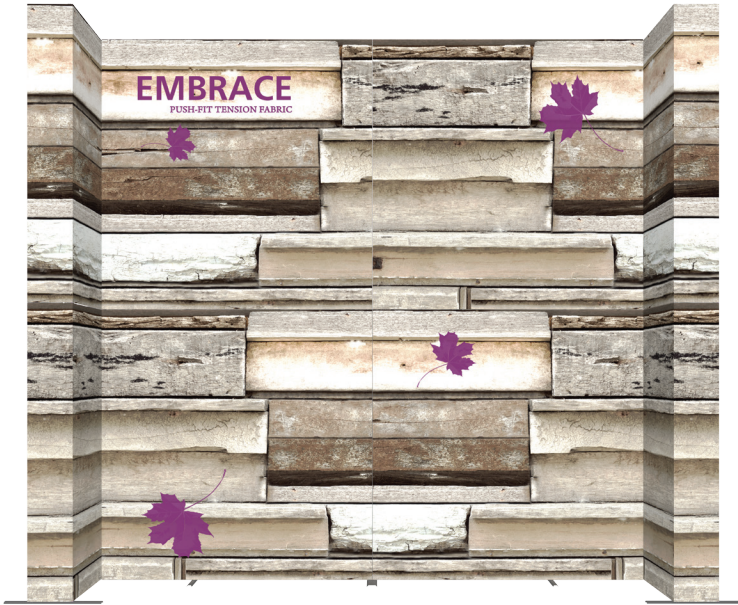
- Box 1: 37"L x 15"H x 9"D / 43lbs
940mm(L) x 381mm(H) x 229mm(D) / 20kg
- Box 2: 37"L x 15"H x 9"D / 43lbs
940mm(L) x 381mm(H) x 229mm(D) / 20kg
- Box 3: 37"L x 15"H x 9"D / 43lbs
940mm(L) x 381mm(H) x 229mm(D) / 20kg
- Box 4: 37"L x 15"H x 9"D / 43lbs
940mm(L) x 381mm(H) x 229mm(D) / 20kg
- Box 5: 35"L x 15"H x 9"D / 35lbs
889mm(L) x 381mm(H) x 229mm(D) / 16kg
- Box 6: 35"L x 15"H x 9"D / 35lbs
889mm(L) x 381mm(H) x 229mm(D) / 16kg
- Box 7: 35"L x 15"H x 9"D / 35lbs
889mm(L) x 381mm(h) x 229mm(D) / 16kg
- Box 8: 35"L x 15"h x 9"D / 35lbs

EMB-QD-STCKD-04x3:

- Box 1: 38"L x 15"H x 9"D / 48lbs
965mm(L) x 381mm(H) x 229mm(D) / 22kg
- Box 2: 38"L x 15"H x 9"D / 48lbs
965mm(L) x 381mm(H) x 229mm(D) / 22kg
- Box 3: 38"L x 15"H x 9"D / 48lbs
889mm(L) x 381mm(H) x 229mm(D) / 22kg
- Box 4: 38"L x 15"H x 9"D / 48lbs
889mm(L) x 381mm(H) x 229mm(D) / 22kg
- Box 5: 35"L x 15"H x 9"D / 36lbs
889mm(L) x 381mm(H) x 229mm(D) / 16kg
- Box 6: 35"L x 15"H x 9"D / 36lbs
889mm(L) x 381mm(H) x 229mm(D) / 16kg
- Box 7: 35"L x 15"H x 9"D / 36lbs
889mm(L) x 381mm(H) x 229mm(D) / 16kg
- Box 8: 35"L x 15"H x 9"D / 36lbs
889mm(L) x 381mm(H) x 229mm(D) / 16kg

Embrace Stack & Link Dimensions

All kits include necessary feet. Due to height restriction, we recommend use in Island booth spaces.



Embrace - Included In Your Kit

Stacking & Linking Instructions

2x3

QTY

- 8 - Channel Bars (EMB-CB-1)
- 8 - Channel Bars (EMB-CB-2)
- 16 - Channel Bars (EMB-CB-3)
- 2 - Embrace Foot (EMB-FOOT)
- 6 - Straight Connector (EMB-SL-CONNECTOR)
- 4 - Corner Connector (EMB-LL-CONNECTOR)

4x3

QTY

- 8 - Channel Bars (EMB-CB-1)
- 16 - Channel Bars (EMB-CB-3)
- 8 - Channel Bars (EMB-CB-4)
- 3 - Embrace Foot (EMB-FOOT)
- 10 - Straight Connector (EMB-SL-CONNECTOR)
- 4 - Corner Connector (EMB-LL-CONNECTOR)

QD4x3

QTY

- 16 - Channel Bars (EMB-CB-1)
- 32 - Channel Bars (EMB-CB-3)
- 16 - Channel Bars (EMB-CB-4)
- 1 - Wide Foot (EMB-FOOT-WIDE)
- 4 - Embrace Foot (EMB-FOOT)
- 32 - Straight Connector (EMB-SL-CONNECTOR)
- 8 - Corner Connector (EMB-LL-CONNECTOR)

3x3

QTY

- 8 - Channel Bars (EMB-CB-1)
- 24 - Channel Bars (EMB-CB-3)
- 3 - Embrace Foot (EMB-FOOT)
- 8 - Straight Connector (EMB-SL-CONNECTOR)
- 4 - Corner Connector (EMB-LL-CONNECTOR)

QD3x3

QTY

- 16 - Channel Bars (EMB-CB-1)
- 48 - Channel Bars (EMB-CB-3)
- 1 - Wide Foot (EMB-FOOT-WIDE)
- 4 - Embrace Foot (EMB-FOOT)
- 28 - Straight Connector (EMB-SL-CONNECTOR)
- 8 - Corner Connector (EMB-LL-CONNECTOR)

*** Quantity required shown. Assembled units may leave additional unused hardware.**

Embrace - Graphic Options

Stacking & Linking Instructions

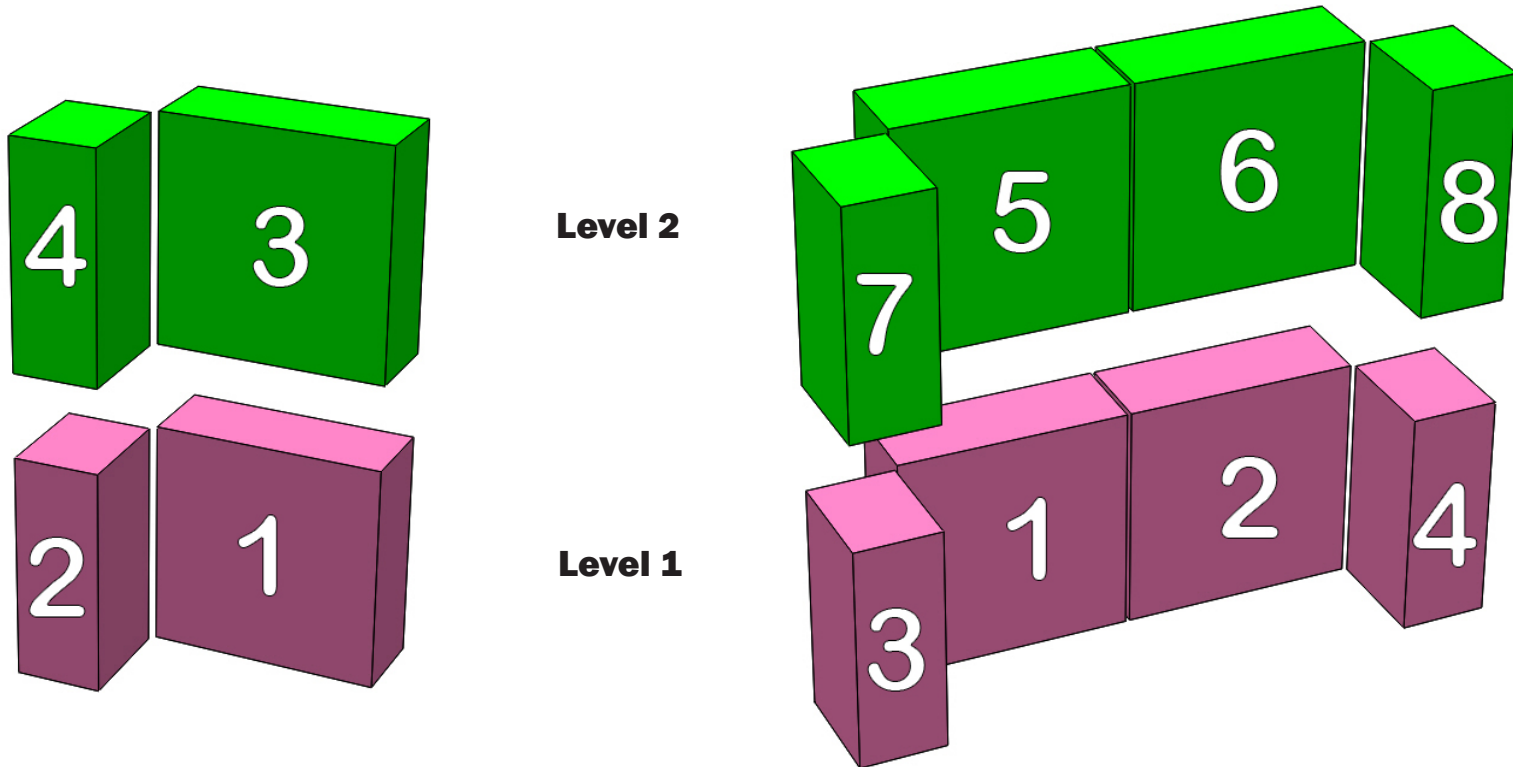
Embrace Frame Suffix Definitions				
Suffixes in Code	-SS	-DS	-FG	-FGE
Definition	Single Sided	Double Sided	Front Graphic	Graphic with Endcaps



Embrace - Build Sequence

Stacking & Linking Instructions

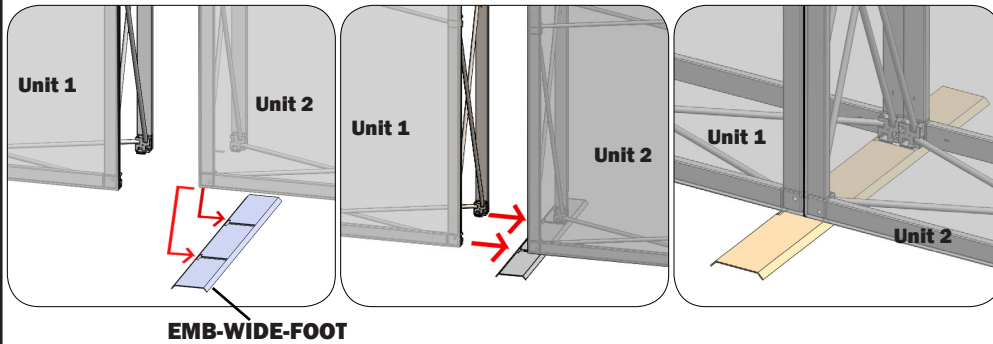
For safety best practice, follow this sequence of assembly steps.



Embrace

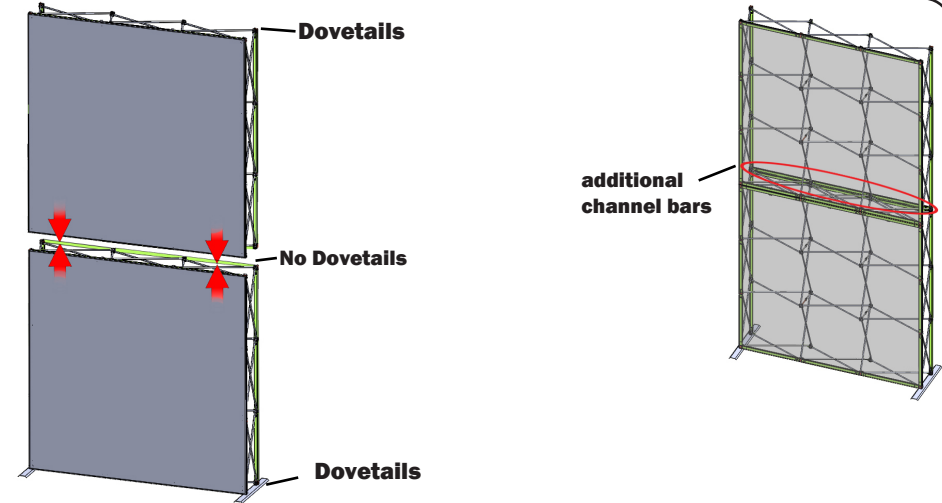
Stacking & Linking Instructions

1



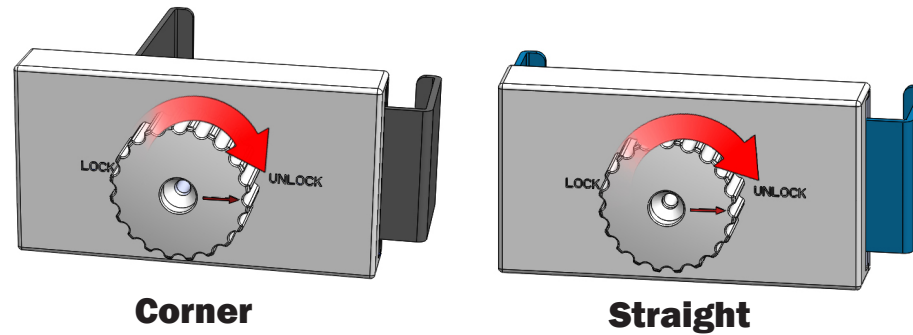
For joining two assembled units, begin by adding one “EMB-WIDE-FOOT” between each pair of units. Slide Unit 2’s (the right unit) bottom left dovetail into the foot. Slide Unit 1’s (the left unit) bottom right dovetails into the foot second.

2



For stacking two assembled units, begin by stacking one unit without feet onto a unit with feet. The dovetails of the unit without feet should be on top as illustrated. *Note additional channel bars are necessary for stacking.

3

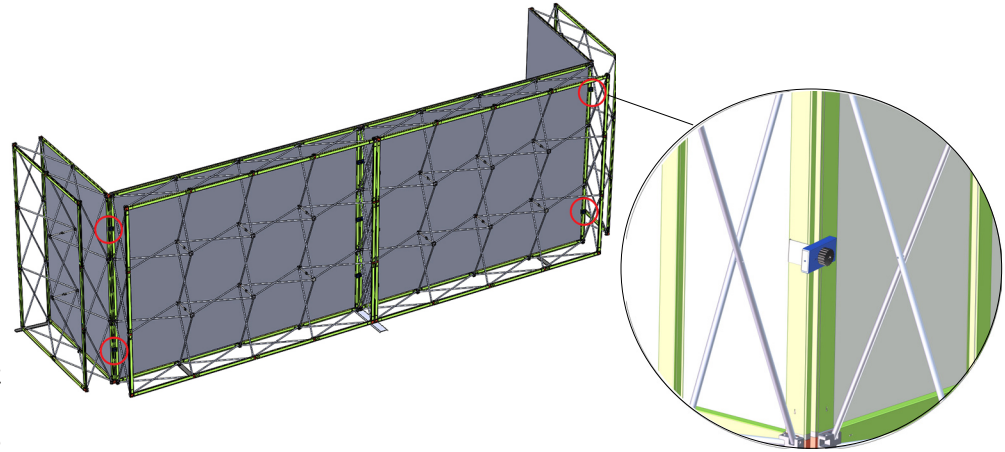
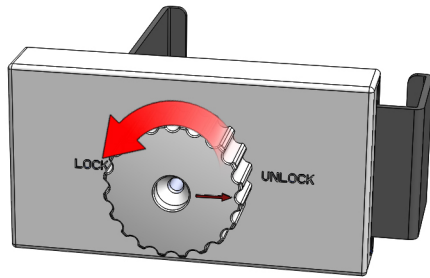
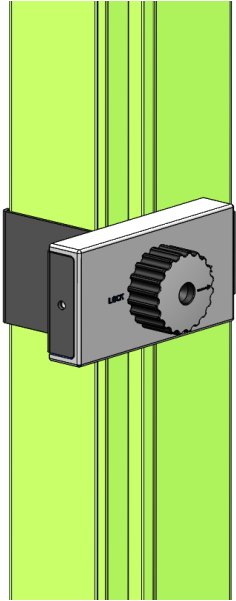


Prepare your joining connectors by setting them to the “Unlock” position as shown.
*Use the Corner Connector for return walls / corners.
*Use the Straight Connector for stacking or linking connections.

Embrace

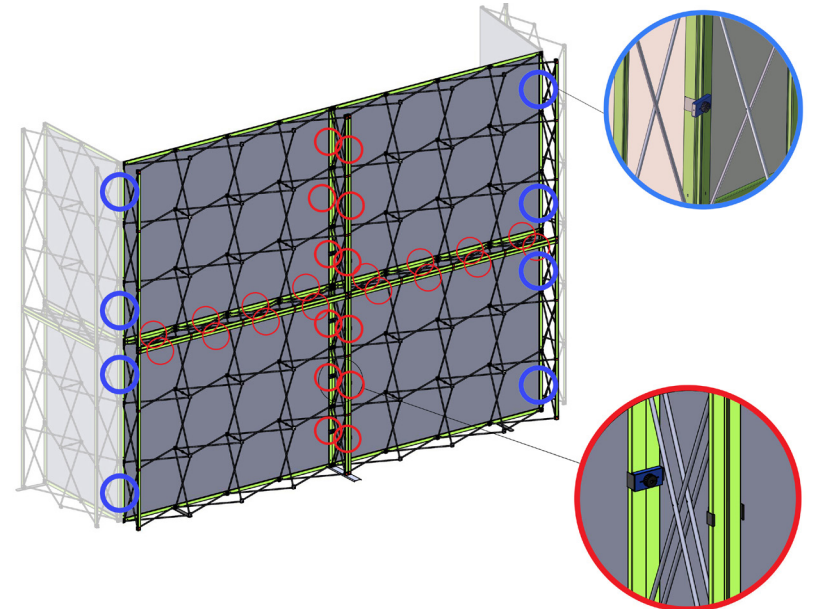
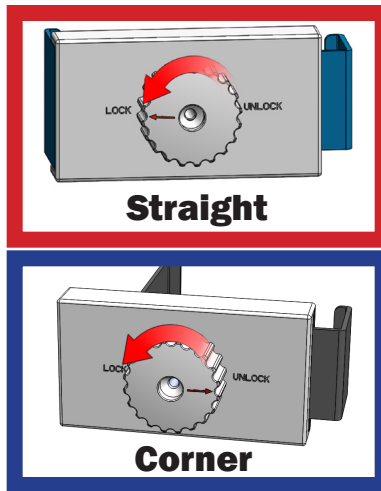
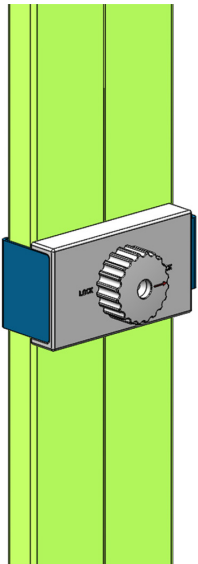
Stacking & Linking Instructions

4



Corner Connectors are placed onto every other quadrant corner as shown in the figure (middle right). Lock each connector by setting the knob to the “Lock” position as shown.

5



Straight connectors are placed onto the front and back frames on every quadrant as shown in the figure (right). Lock each connector by setting the knob to the “Lock” position as shown.