

# Formulate Designer Series 10' Backwall - Kit 02

## FMLT-DS-10-02

Formulate® Designer Series 10ft displays have unique stylistic features and shapes, are portable and easy to assemble. The aluminum tube frame features spigot connections and zipper pillowcase fabric graphics. All displays come in portable, wheeled transit cases. Simply pull the pillowcase fabric graphic(s) over the frame and zip.



## features and benefits:

- Premium aluminum tube frames with spigot assembly
- Easy to store and ship
- Quick to set up
- Weighted feet for added stability
- Three zipper pillowcase fabric graphics
- One Lumina 200 LED Light
- Lifetime limited hardware warranty against manufacturer defects

## dimensions:

### Hardware

### Graphic

Assembled unit:  
120" w x 96" h x 37.79" d  
3048mm(w) x 2439mm(h) x 960mm(d)

Refer to related graphic template for more information.

Approximate weight with cases:  
66 lbs / 29.9 kgs

Visit:  
[www.exhibitors-handbook.com/graphic-templates](http://www.exhibitors-handbook.com/graphic-templates)

### Shipping

Packing case(s):  
1 OCE Case

Shipping dimensions:  
OCE: Expandable case length (l) may vary  
40" - 66" l x 18" h x 18" d  
1016mm-1677mm(l) x 458mm(h) x 458mm(d)

Approximate total shipping weight  
(includes cases & graphics):  
79 lbs / 35.8 kgs

## additional information:

Graphic material:  
dye-sublimation zipper pillowcase fabric

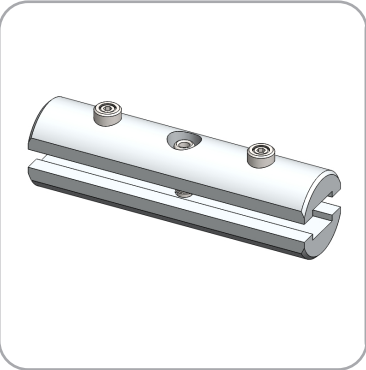
We are continually improving and modifying our product range and reserve the right to vary the specifications without prior notice. All dimensions and weights quoted are approximate and we accept no responsibility for variance. E&OE. See Graphic Templates for graphic bleed specifications.

# Included In Your Kit

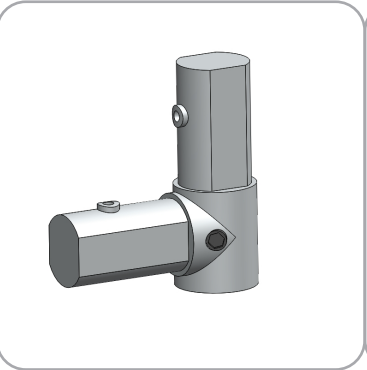
Tools, Components, & Connectors



ALLEN KEY SET x1



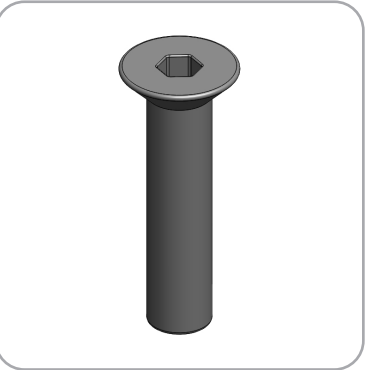
ES30 x15



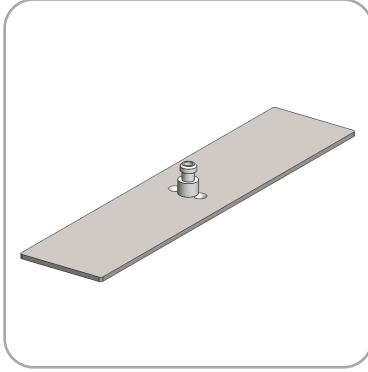
ES30-90B x6



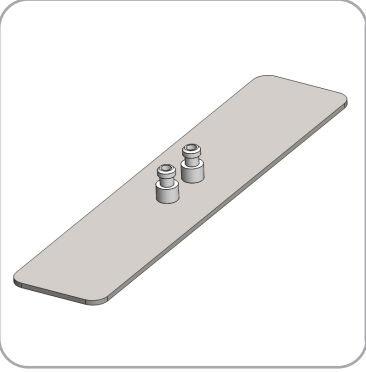
TC-30-A-90 x2



LN114-SCRW x6



PLT-BP-LN114-S2-450 x2



PLT-BP-LN114-S3-450 x2

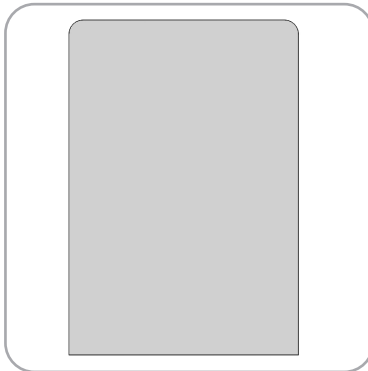


TCP-3030-R x2

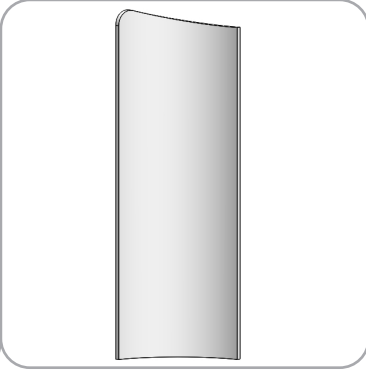


LUM-LED2-ORL-B x1

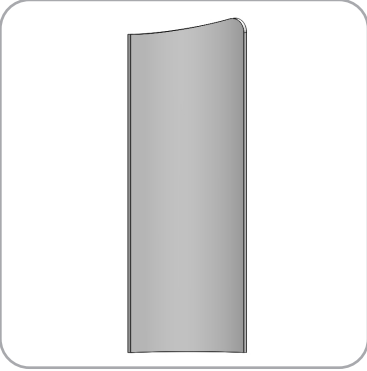
Graphics



FMLT-DS-10-02-A-G x1

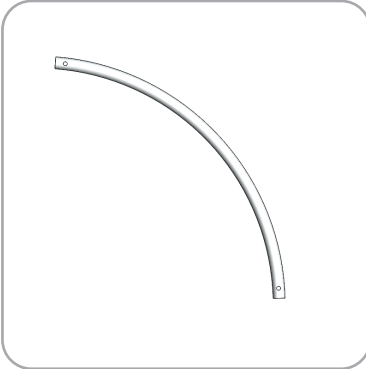


FMLT-DS-10-02-B-G x1

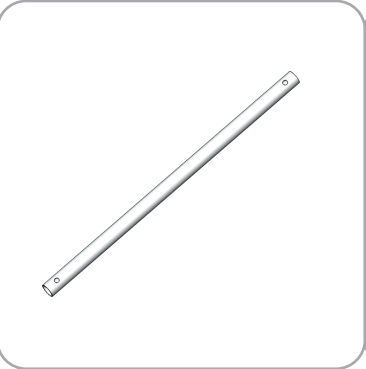


FMLT-DS-10-02-C-G x1

# Included In Your Kit



DS-10-02-T1 x2



DS-10-02-T2 x6



DS-10-02-T3 x1

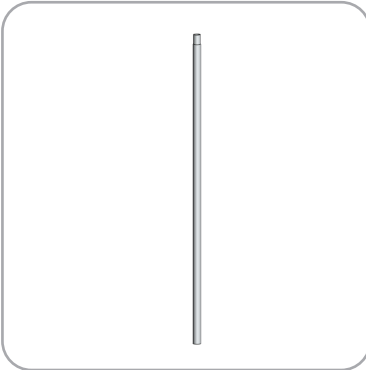


DS-10-02-T4 x1



DS-10-02-T5 x2

Tubes



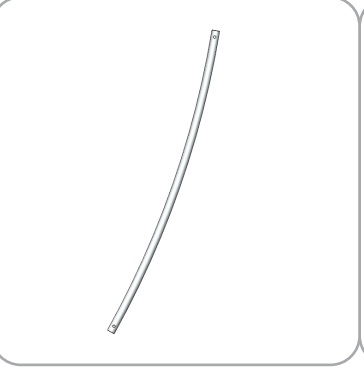
DS-10-02-T6 x4



DS-10-02-T7 x2



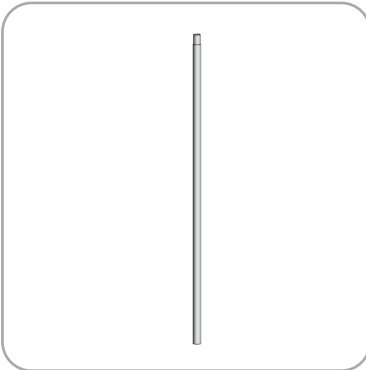
DS-10-02-T8 x1



DS-10-02-T9 x1



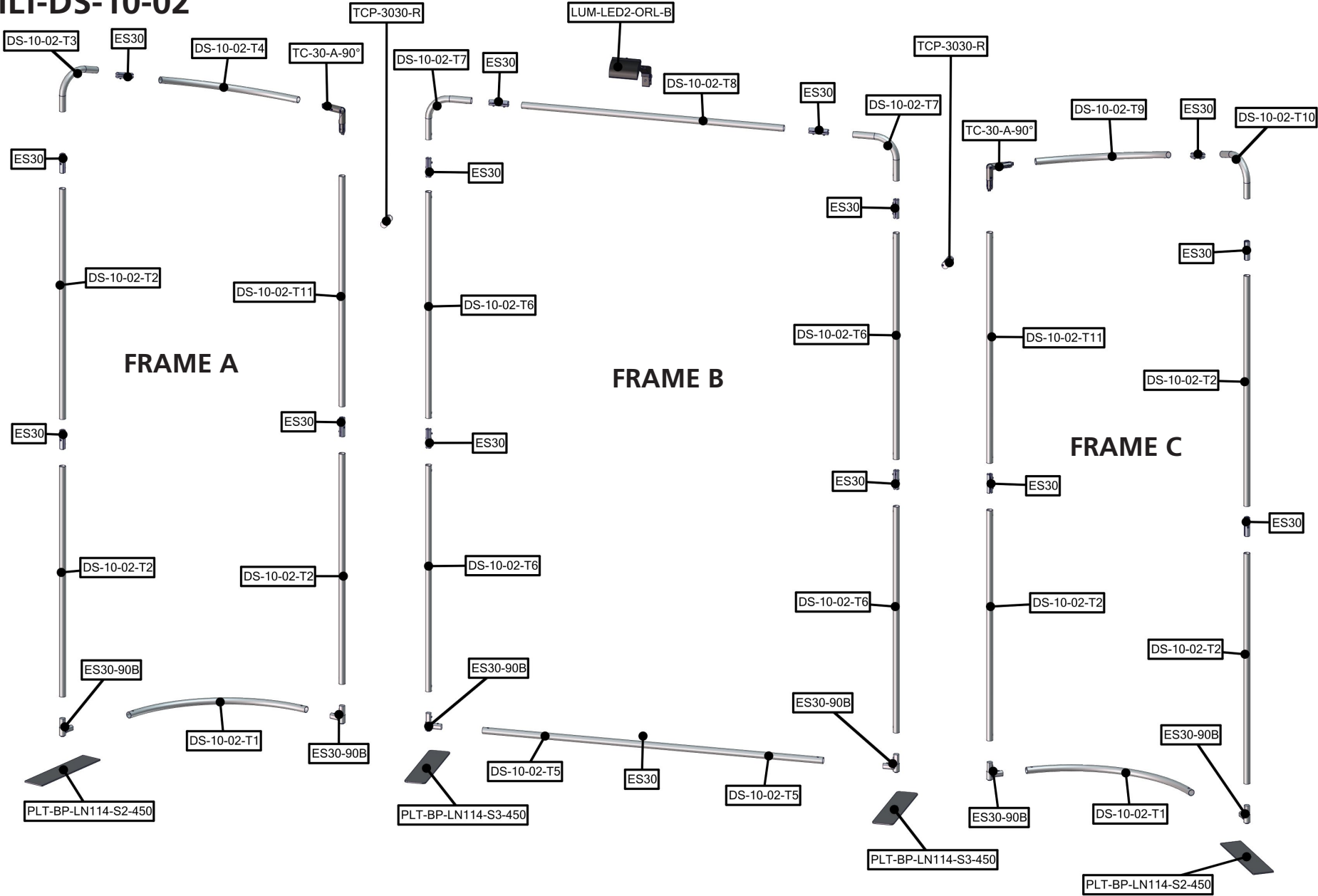
DS-10-02-T10 x1



DS-10-02-T11 x2

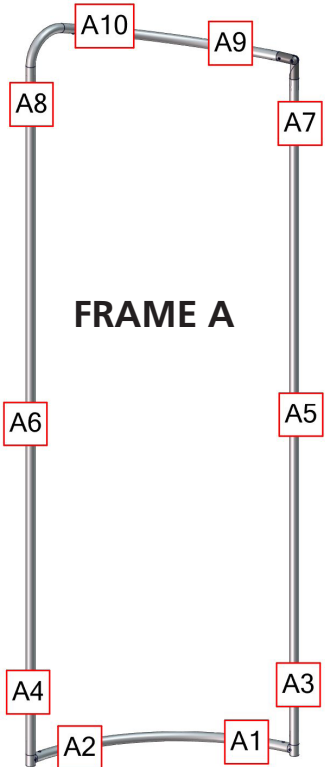
# Exploded View

## FMLT-DS-10-02

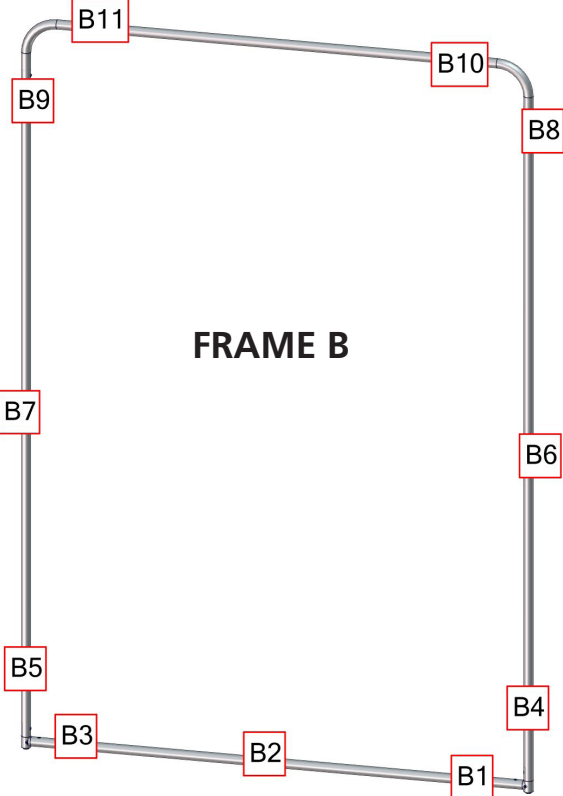


# Labeling Diagram

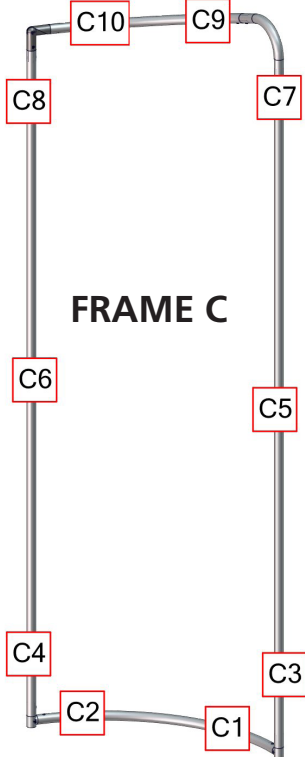
FMLT-DS-10-02



FRAME A



FRAME B



FRAME C

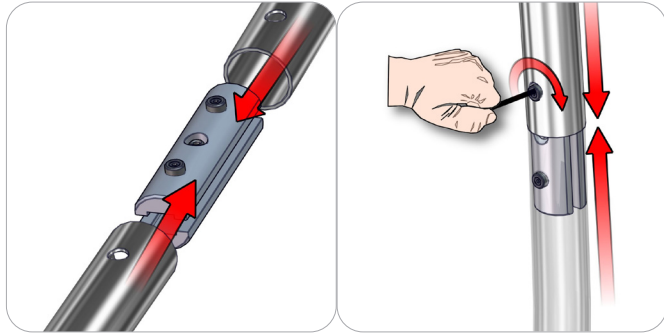


Overview

# Connection Methods

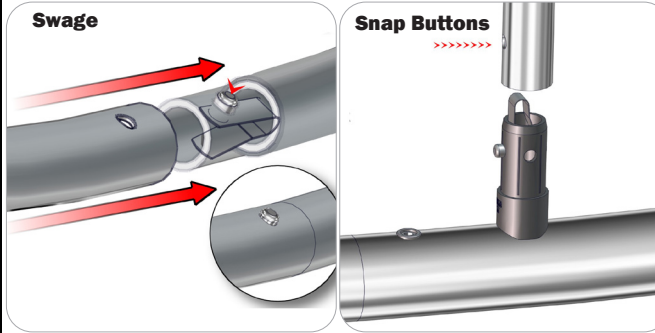
Formulate™ structures use a number of different yet simple connection methods. Your kit will include one or more of the connection methods shown below. Steps within the Kit Assembly will reference a specific method for each connection point.

## Connection Method 1: ES30 / ES50 / ES75



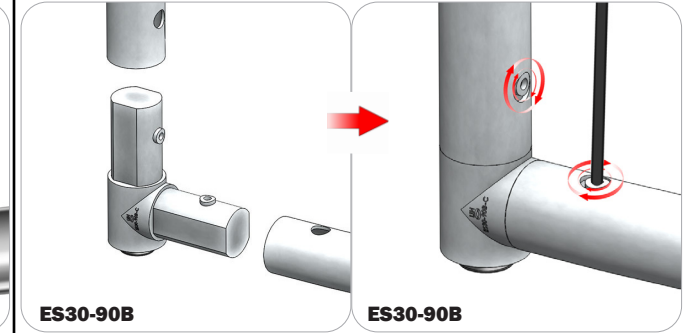
Compress the unlocked connector and slide one tube onto each end. Lock both screws carefully using your allen key tool. Be sure to lock securely, but do not overtighten.

## Connection Method 2: Snap Buttons & Swage



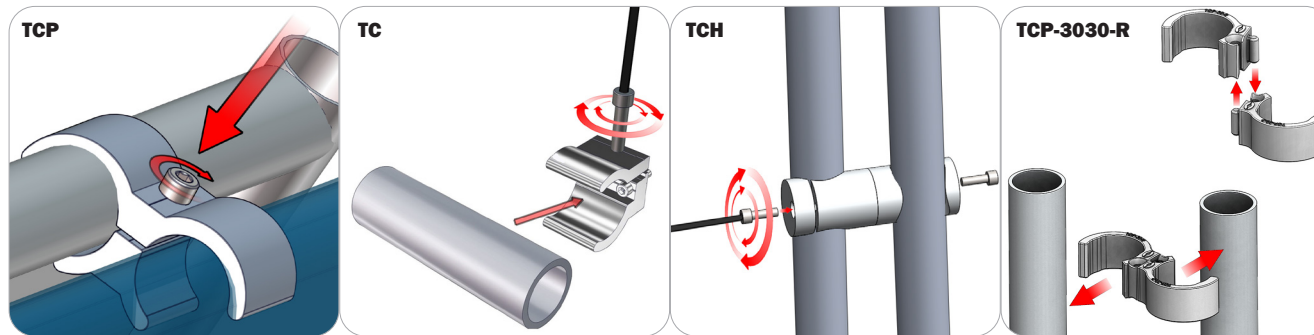
Locate the snap button on the connector or swage tube. Locate the hole on the corresponding tube. Press the snap button with your thumb and slide the tube and connector together so that the snap button snaps fully into the lock hole. To disassemble, press the snap button and pull apart.

## Connection Method 3: ES30-90B / ES30-I / ES30-C



Compress one unlocked end of the connector and slide it through one tube end. Compress the other end of the connector and slide the second tube on. Lock both screws carefully using your allen key tool. Be sure to lock securely, but do not overtighten.

## Connection Method 4: Tube Clamps



Be sure to fully assemble all frames before using clamps. With the clamp unlocked, place one tube of the first frame into the mouth of the clamp. Place the second tube (if applicable) into the second mouth of the clamp. With both frame's tubes in the clamp, be sure to lock securely, but do not overtighten.

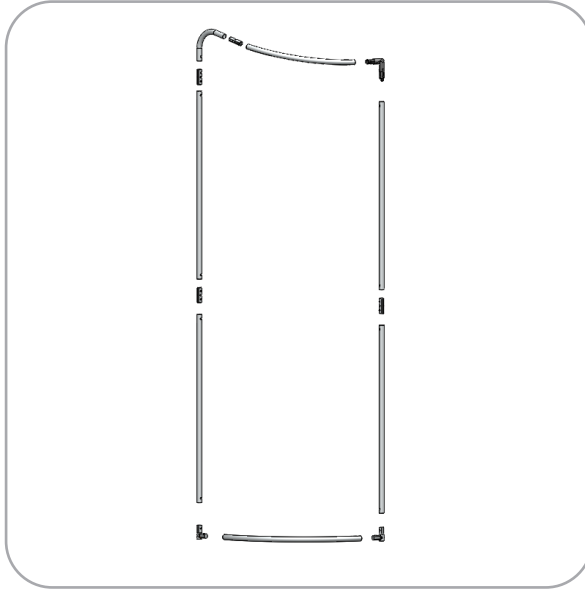
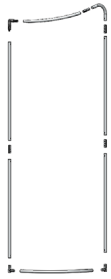
# Kit Assembly

## Step by Step

### Step 1.

Locate the components necessary for assembling Frame A. Assemble your frame in order according to the Labeling Diagram.

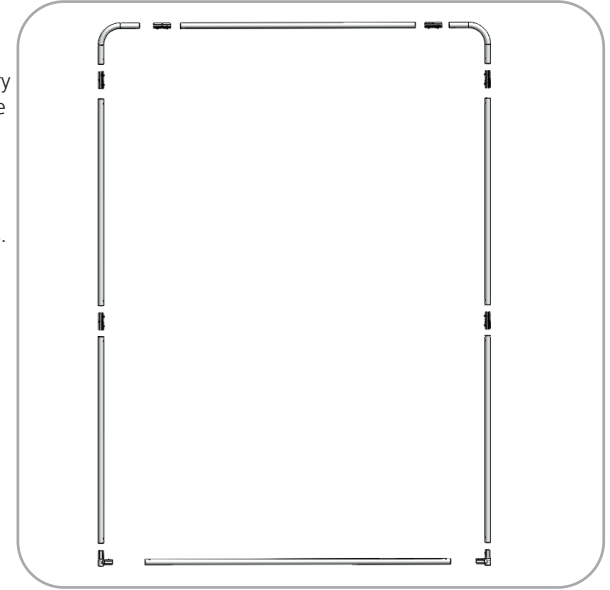
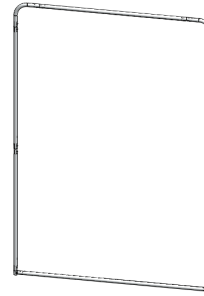
Please reference Connection Methods 1 and 3 for more details.



### Step 2.

Locate the components necessary for assembling Frame B. Assemble your frame in order according to the Labeling Diagram.

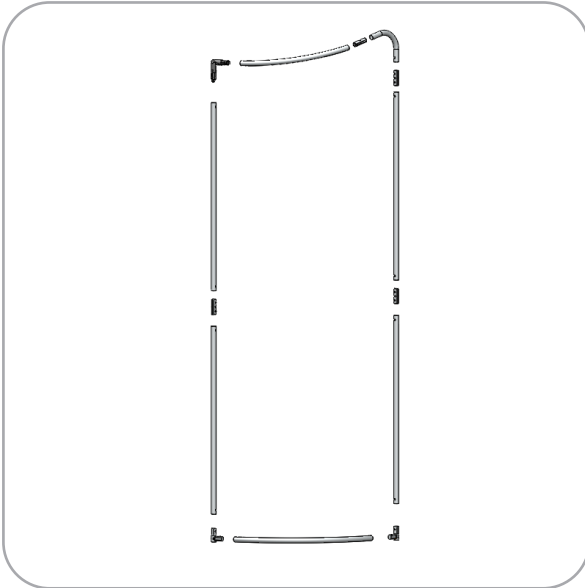
Please reference Connection Methods 1 and 3 for more details.



### Step 3.

Locate the components necessary for assembling Frame C. Assemble your frame in order according to the Labeling Diagram.

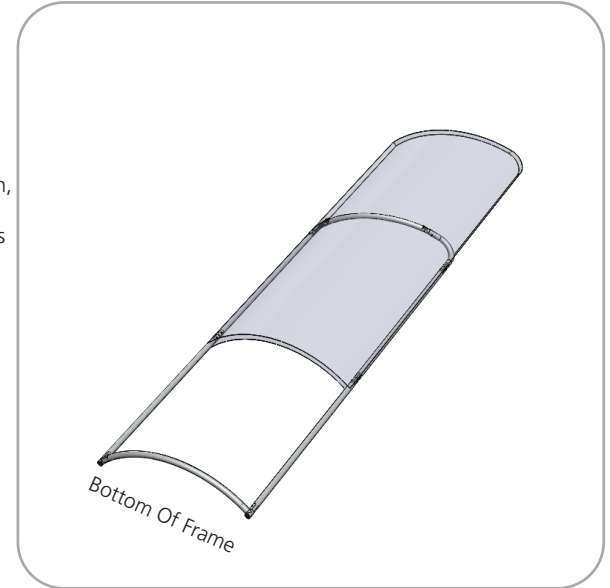
Please reference Connection Methods 1 and 3 for more details.



### Step 4.

Note: This step applies to both Frame A and Frame C.

Fit pillowcase graphic A/C onto Frame A/C. For ease of installation, pull the fabric cover over the top of the frame while the frame rests flat on the floor. Zipper at the bottom of frame to enclose.

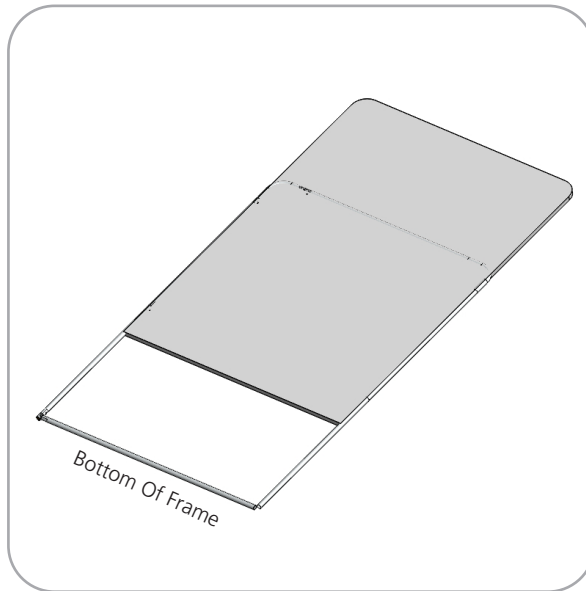


# Kit Assembly

## Step by Step

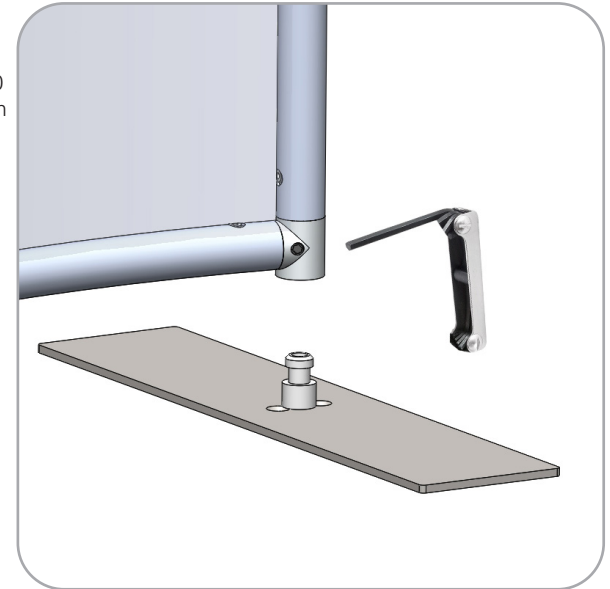
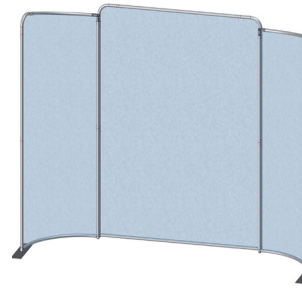
### Step 5.

Fit pillowcase graphic B onto Frame B. For ease of installation, pull the fabric cover over the top of the frame while the frame rests flat on the floor. Zipper at the bottom of frame to enclose.



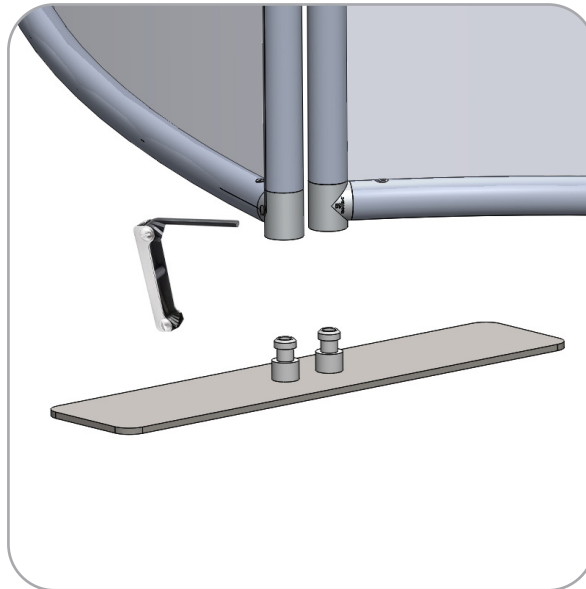
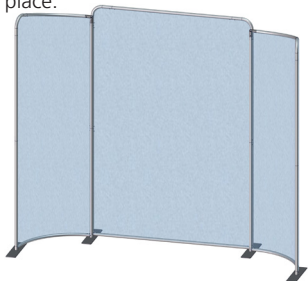
### Step 6.

Locate both PLT-BP-LN114-S2-450 stabilizing base assemblies. Attach the base on the left of Frame A and the right of Frame C. Tighten the lock screw on the side of the ES30-90B to lock the base into place.



### Step 7.

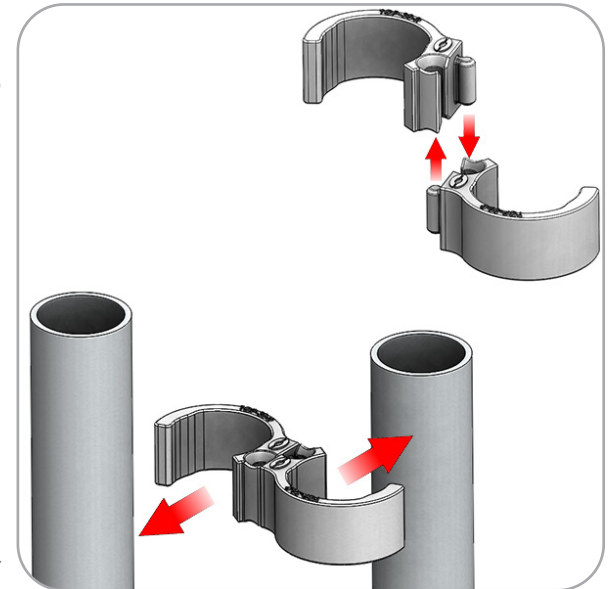
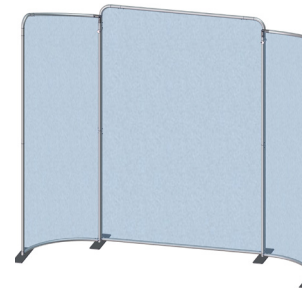
Locate both PLT-BP-LN114-S3-450 stabilizing base assemblies. Attach a base on the right of Frame A and the left of Frame B. Attach a base on the right of Frame B and the left of Frame C. Tighten the lock screw on the side of the ES30-90B to lock the base into place.



### Step 8.

Use the TCP-3030-R connector to brace the frames together at the top insides of both frames.

Please reference Connection Method 4 for more details.





# Kit Assembly

## Step by Step

### Step 9.

Attach the lights using the provided clamps.

Setup is complete.

