

Designer Series 10' Backwalls - Kit 12

FMLT-DS-10-12

Formulate® Designer Series 10ft displays have unique stylistic features and shapes, are portable and easy to assemble. The aluminum tube frame features snap-buttons and zipper pillowcase fabric graphics. All displays come in portable, wheeled transit cases. Simply pull the pillowcase fabric graphic over the frame and zip.



features and benefits:

- Premium aluminum tube frames with spigot assembly
- Easy to store and ship
- Quick to set up
- Weighted feet for added stability
- Zipper pillowcase fabric graphic
- Two Lumina 20 LED Lights
- Lifetime limited hardware warranty against manufacturer defects

dimensions:

Hardware	Graphic
<p>Assembled unit: 110.16" w x 93.32" h x 23.89" d 2799mm(w) x 2371mm(h) x 607mm(d)</p> <p>Approximate weight with cases: 57 lbs / 25.9 kgs</p>	<p>Refer to related graphic template for more information.</p> <p>Visit: www.exhibitors-handbook.com/graphic-templates</p>
Shipping	
<p>Packing case(s): 1 OCH2 Case</p> <p>Shipping dimensions: 52" l x 29" h x 15" d 1321mm(l) x 737mm(h) x 381mm(d)</p> <p>Approximate total shipping weight (includes cases & graphics): 69 lbs / 31.3 kgs</p>	
	additional information:
	<p>Graphic material: Dye-sublimation zipper pillowcase fabric.</p>

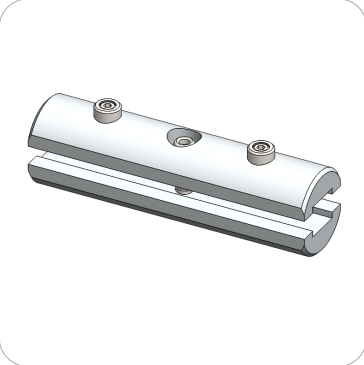
We are continually improving and modifying our product range and reserve the right to vary the specifications without prior notice. All dimensions and weights quoted are approximate and we accept no responsibility for variance. E&OE. See Graphic Templates for graphic bleed specifications.

Included In Your Kit

Tools, Components, & Connectors



ALLEN KEY SET x1

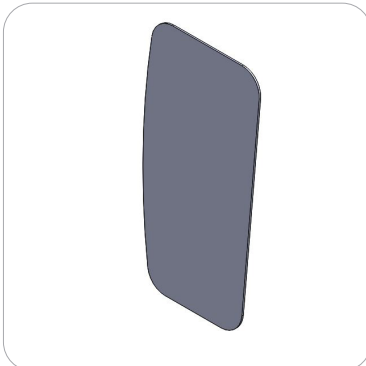


ES30 x15

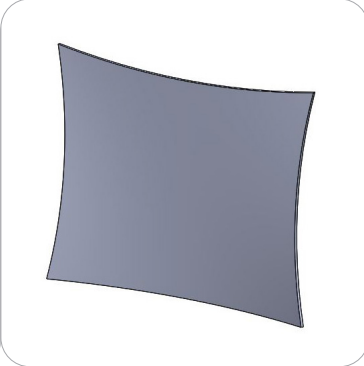


LUM-LED2-ORL-B x2

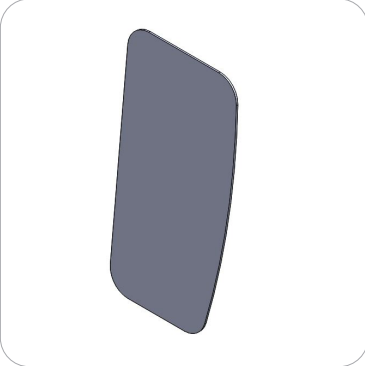
Graphics



FMLT-DS-10-12-A-G



FMLT-DS-10-12-B-G



FMLT-DS-10-12-C-G

Included In Your Kit

Tubes & Extrusions



FMLT-DS-10-12-A-T1 x1



FMLT-DS-10-12-A-T2 x1



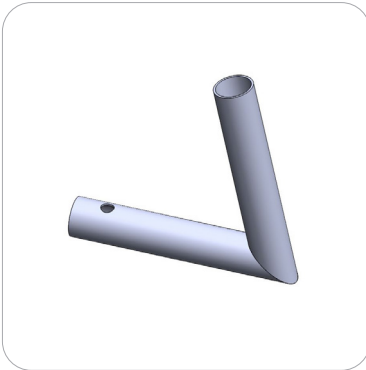
FMLT-DS-10-12-A-T3 x1



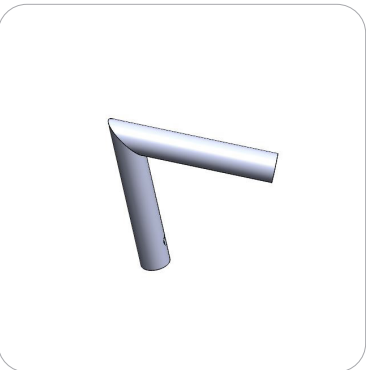
FMLT-DS-10-12-A-T4 x1



FMLT-DS-10-12-A-T5 x1



FMLT-DS-10-12-A-T6 x1



FMLT-DS-10-12-A-T7 x2



FMLT-DS-10-12-A-T8 x4



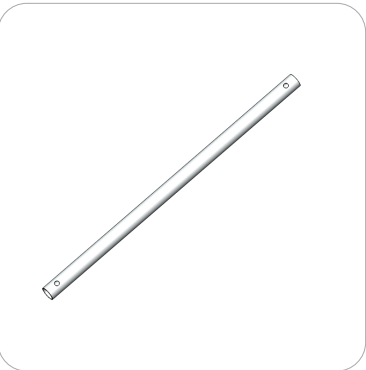
FMLT-DS-10-12-A-T9 x1



FMLT-DS-10-12-A-T10 x1



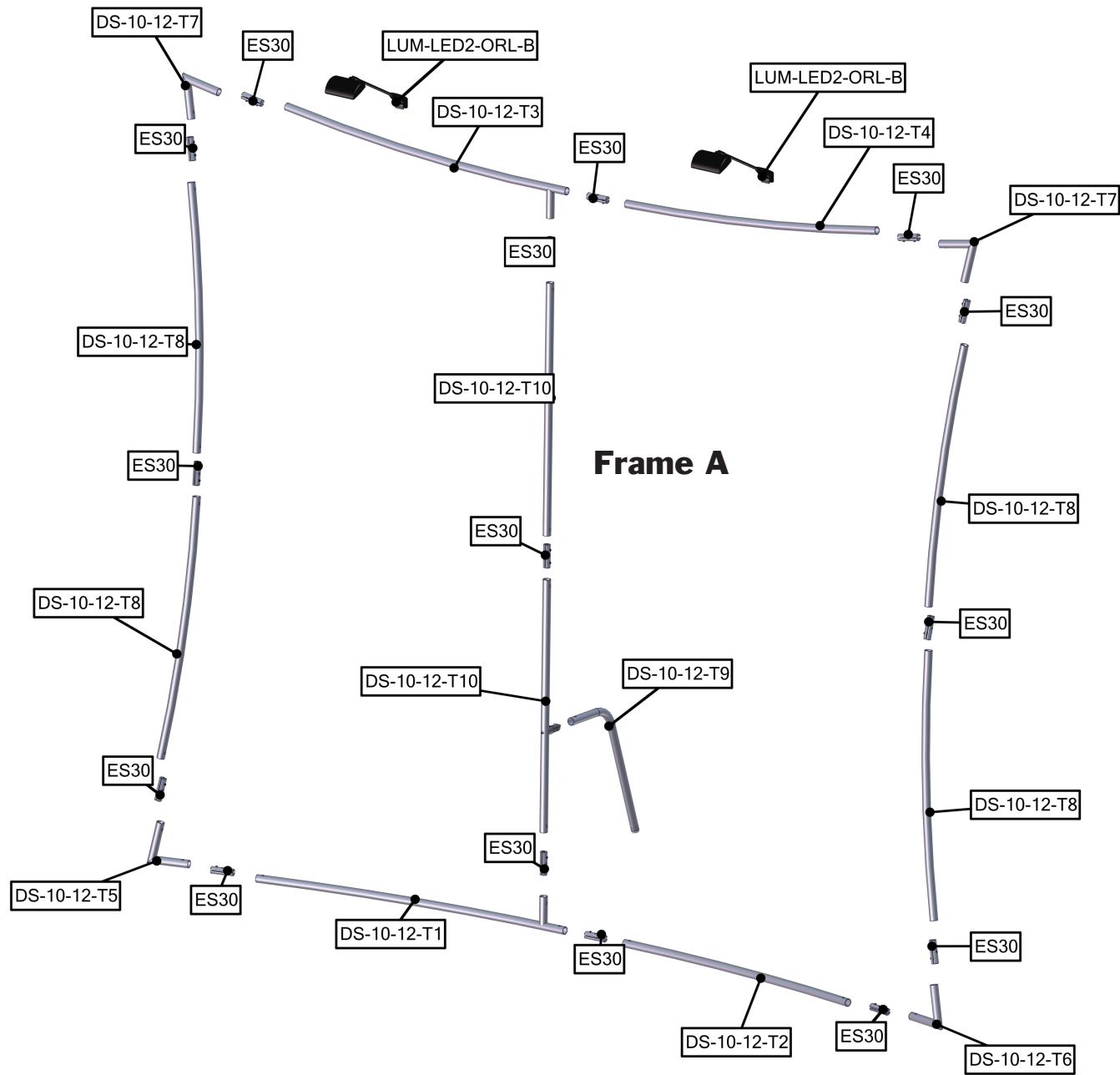
FMLT-DS-10-12-A-T11 x2



FMLT-DS-10-12-A-T12 x1

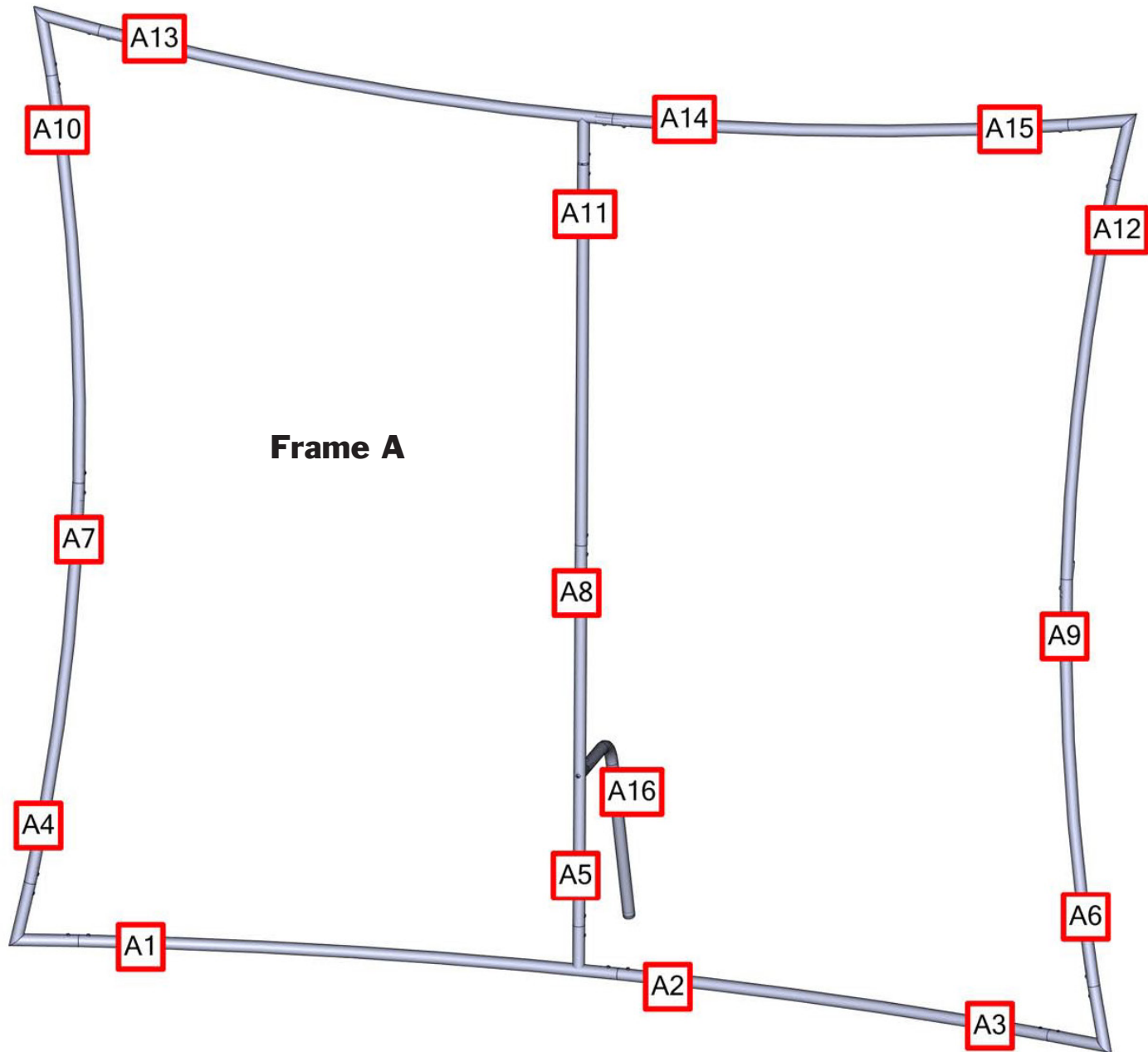
Exploded View

FMLT-DS-10-12



Labeling Diagram

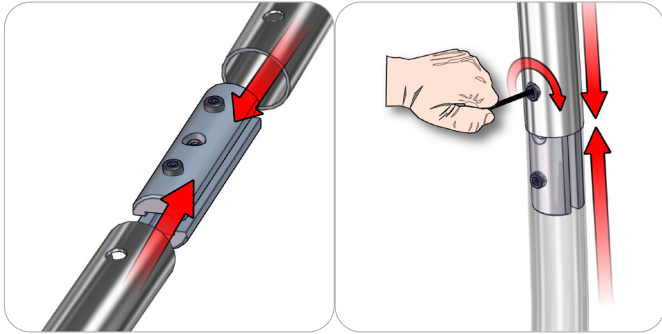
FMLT-DS-10-12



Connection Methods

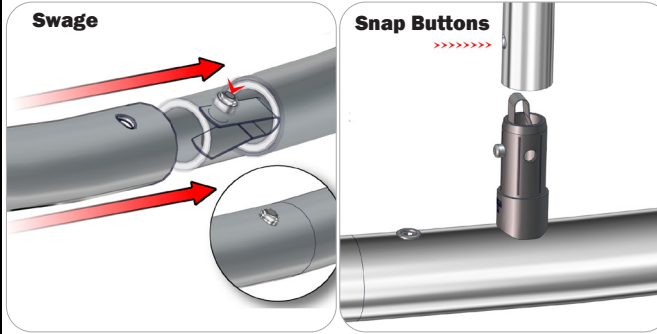
Formulate™ structures use a number of different yet simple connection methods. Your kit will include one or more of the connection methods shown below. Steps within the Kit Assembly will reference a specific method for each connection point.

Connection Method 1: ES30 / ES50 / ES75



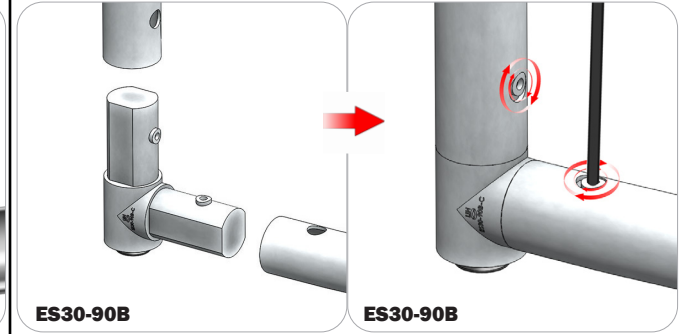
Compress the unlocked connector and slide one tube onto each end. Lock both screws carefully using your allen key tool. Be sure to lock securely, but do not overtighten.

Connection Method 2: Snap Buttons & Swage



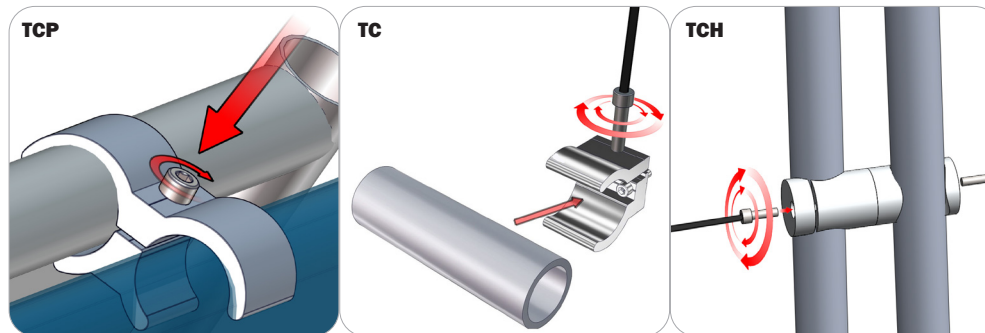
Locate the snap button on the connector or swage tube. Locate the hole on the corresponding tube. Press the snap button with your thumb and slide the tube and connector together so that the snap button snaps fully into the lock hole. To disassemble, press the snap button and pull apart.

Connection Method 3: ES30-90B / ES30-I / ES30-C



Compress one unlocked end of the connector and slide it through one tube end. Compress the other end of the connector and slide the second tube on. Lock both screws carefully using your allen key tool. Be sure to lock securely, but do not overtighten.

Connection Method 4: Tube Clamps



Be sure to fully assemble all frames before using clamps. With the clamp unlocked, place one tube of the first frame into the mouth of the clamp. Place the second tube (if applicable) into the second mouth of the clamp. With both frame's tubes in the clamp, be sure to lock securely, but do not overtighten.

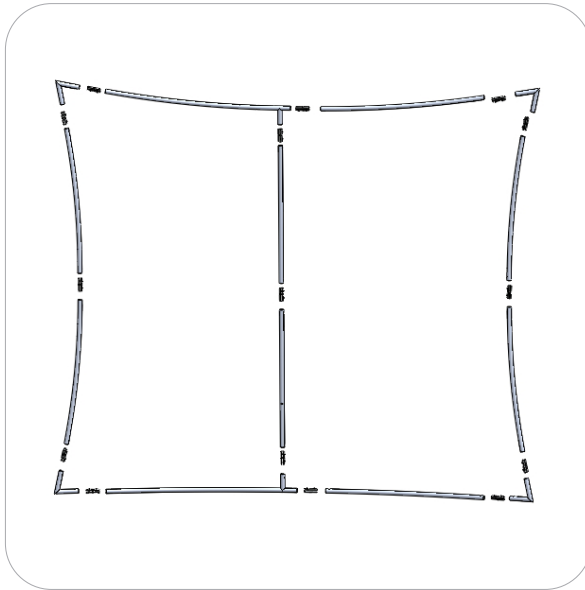
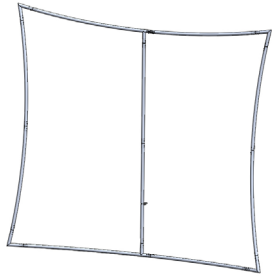
Kit Assembly

Step by Step

Step 1.

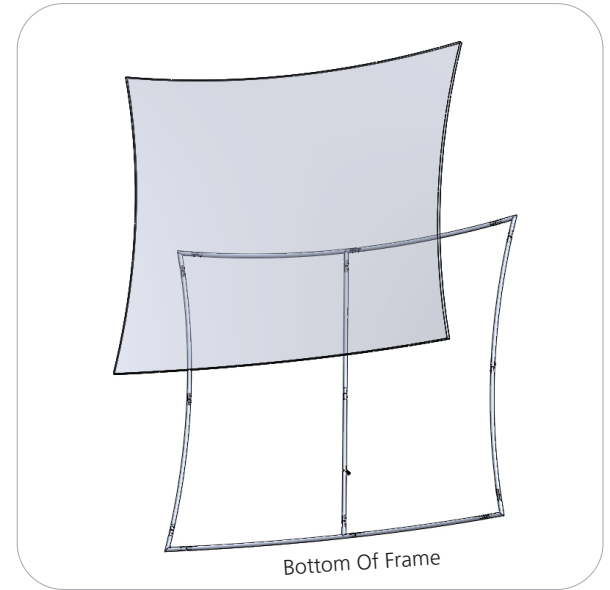
Gather the components necessary for assembling the frame and lay them flat on the floor. Assemble in the order the Labeling Diagram instructs.

Please reference Connection Methods 1 for more details.



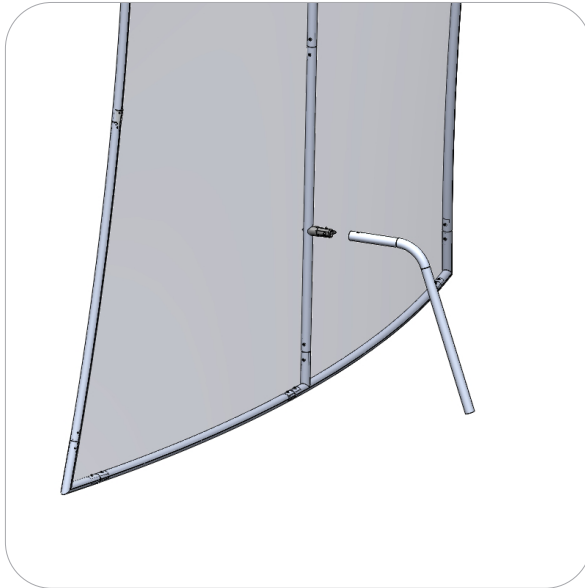
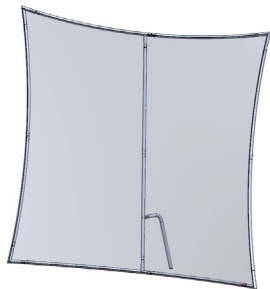
Step 2.

With the frame laying flat on the floor, locate your pillowcase B graphic. With the pillowcase unzipped, encase the frame by covering the frame from top to bottom.



Step 3.

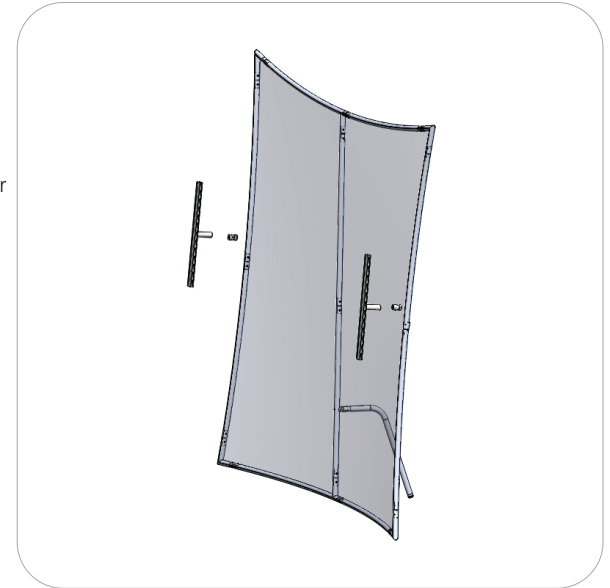
Attach the leg by snapping it into the TC-30-C connectors located on the rear side of your frame.



Step 4.

Attach the Tube 11 assemblies to the left and right side of the frame.

Refer to Connection Method 4 for more details.



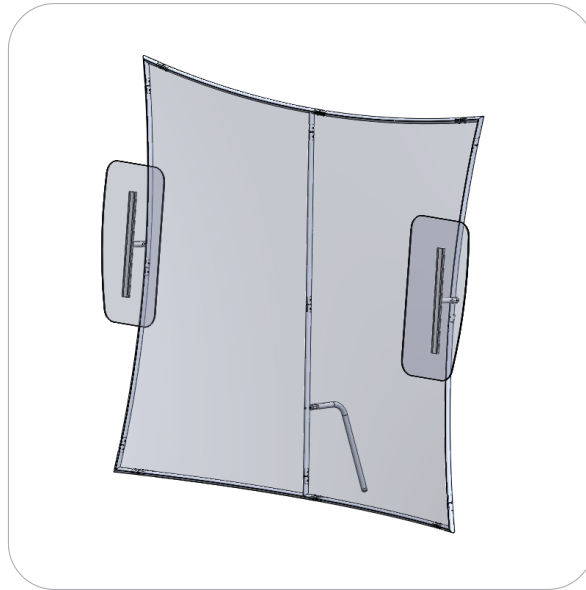
Kit Assembly

Step by Step

Step 5.

Using Velcro, attach the sintra accent graphics to the flat faces of the arms.

VELCRO



Step 6.

Attach the lights using the provided clamps.

