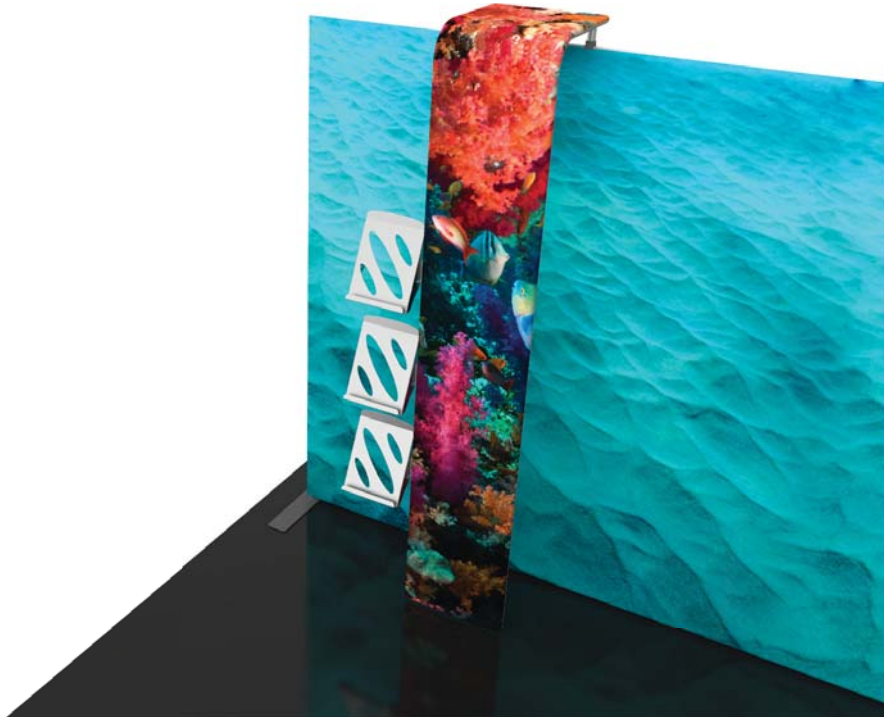


Formulate Ladder Accent - 15

FMLT-WL15

Formulate® Master Accents enhance the functionality of many Formulate Master 10' and 20' backwalls and add more real estate for messaging too! With monitor supports, literature pockets, shelves, tables, counters, and more, you are sure to find the accent that best suits your needs. Side tables and graphic headers are also available.



features and benefits:

- Premium aluminum tube frames with snap button assembly
- Easy to store and ship
- Quick to set up
- One zipper pillowcase fabric graphic
- Three literature pockets
- Lifetime limited hardware warranty against manufacturer defects

dimensions:

Hardware

Assembled unit:
17.72"w x 96"h x 19.45"d
450mm(w) x 2354mm(h) x 494mm(d)

Approximate weight with cases:
43 lbs / 19.5kgs

Shipping

Packing case(s):
1 OCE Case

Shipping dimensions:
OCE: Expandable case length (l) may vary
40" - 66"l x 18"w x 18"h
1016mm-1677mm(l) x 458mm(w) x 458mm(h)

Approximate total shipping weight
(includes cases & graphics):
49 lbs / 22.2kgs

Graphic

Refer to related graphic template for more information.

Visit:
www.exhibitors-handbook.com/graphic-templates

additional information:

Graphic material:
dye-sublimation zipper pillowcase fabric

We are continually improving and modifying our product range and reserve the right to vary the specifications without prior notice. All dimensions and weights quoted are approximate and we accept no responsibility for variance. E&OE. See Graphic Templates for graphic bleed specifications.

Included In Your Kit

Tools, Components,
& Connectors



ALLEN KEY SET x1



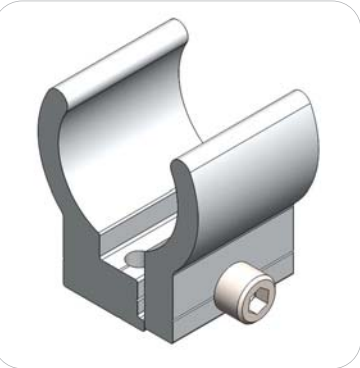
TC-30-90T x4



TC-30-T x4



LN112 x3



TC-30 x3

Tubes



FMLT-WL15-T1 x3



FMLT-WL15-T2 x4



FMLT-WL15-T3 x1

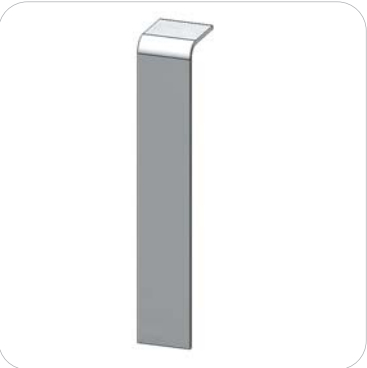


FMLT-WL15-T4 x1



FMLT-WL15-T5 x1

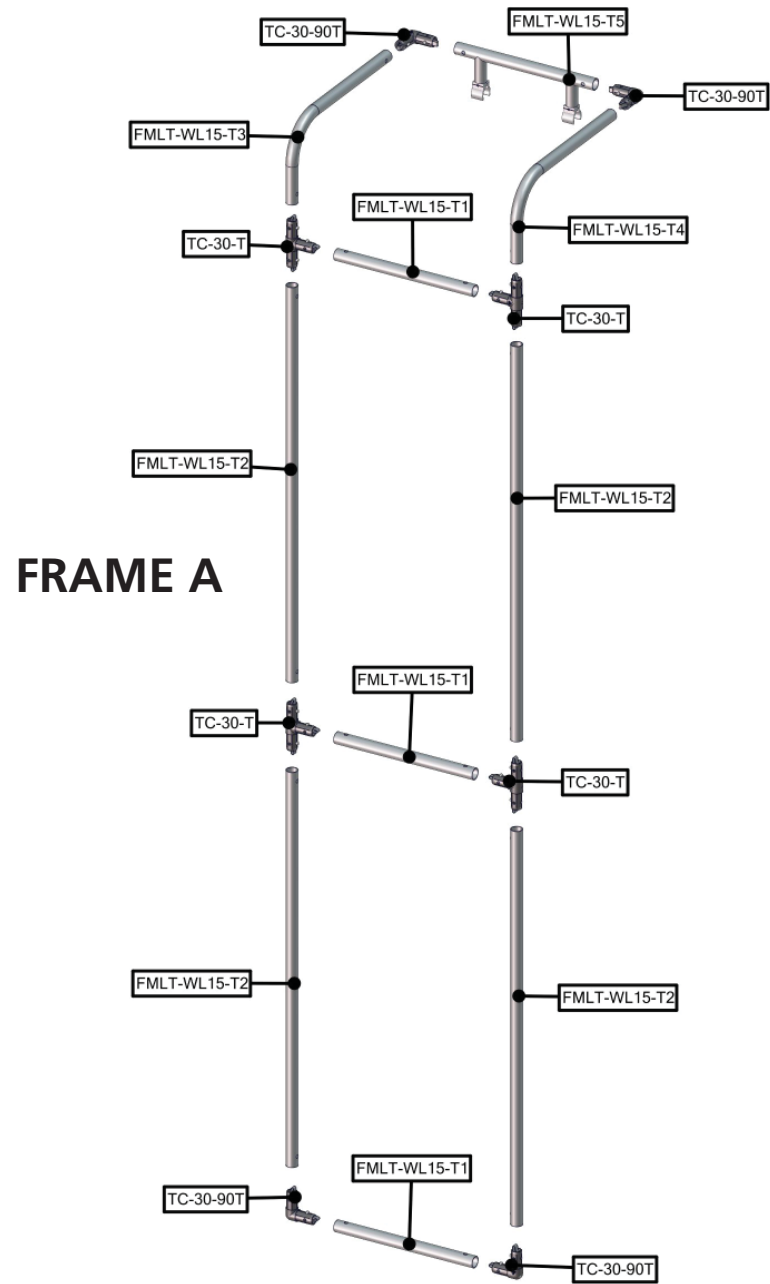
Graphics



FMLT-WL15-G x1

Exploded View

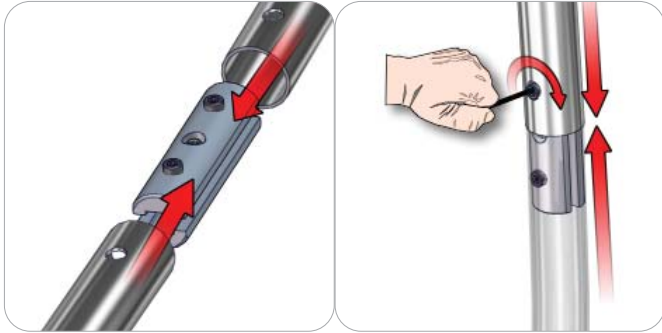
FMLT-WL15



Connection Methods

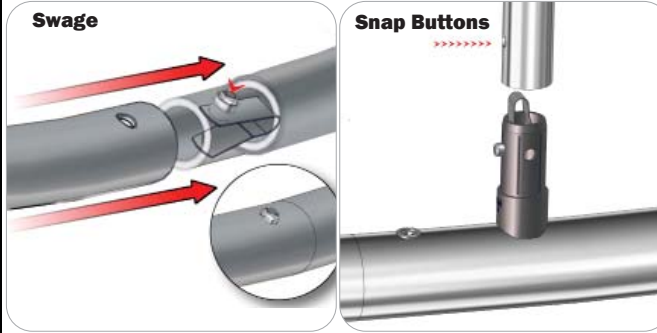
Formulate® structures use a number of different yet simple connection methods. Your kit will include one or more of the connection methods shown below. Steps within the Kit Assembly will reference a specific method for each connection point.

Connection Method 1: ES30 / ES50 / ES75



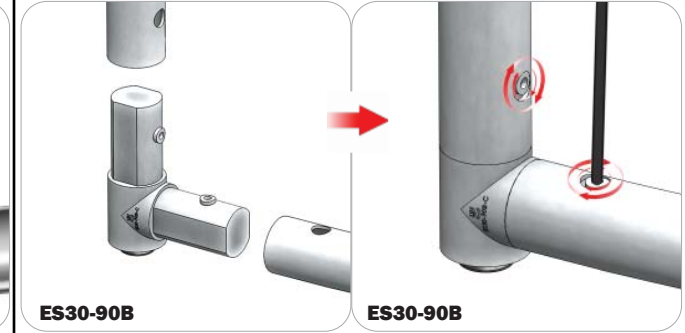
Compress the unlocked connector and slide one tube onto each end. Lock both screws carefully using your allen key tool. Be sure to lock securely, but do not overtighten.

Connection Method 2: Snap Buttons & Swage



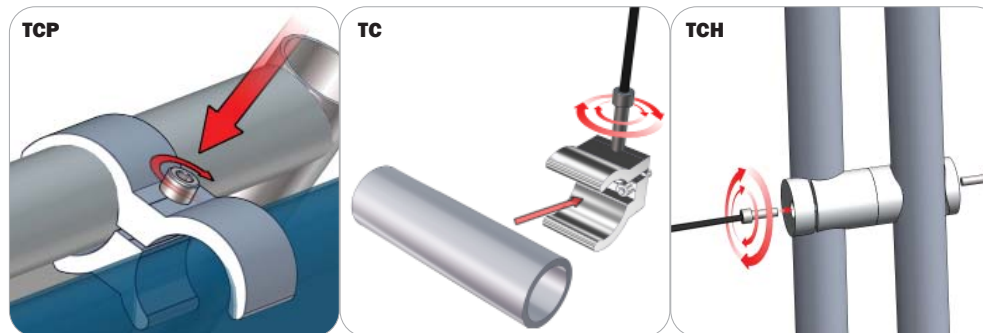
Locate the snap button on the connector or swage tube. Locate the hole on the corresponding tube. Press the snap button with your thumb and slide the tube and connector together so that the snap button snaps fully into the lock hole. To disassemble, press the snap button and pull apart.

Connection Method 3: ES30-90B / ES30-I / ES30-C



Compress one unlocked end of the connector and slide it through one tube end. Compress the other end of the connector and slide the second tube on. Lock both screws carefully using your allen key tool. Be sure to lock securely, but do not overtighten.

Connection Method 4: Tube Clamps

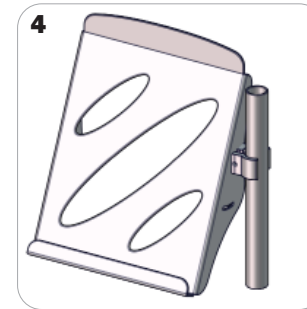
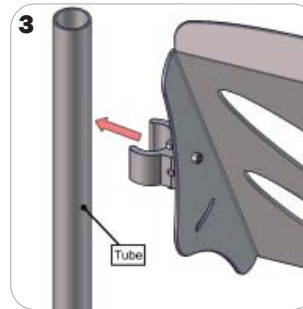
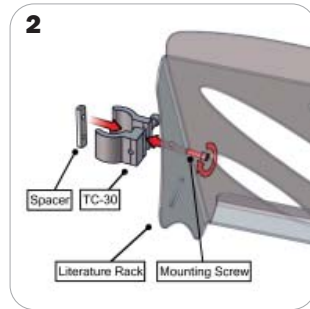


Be sure to fully assemble all frames before using clamps. **TCP & TCH:** With the clamp unlocked, place one tube of the first frame into the mouth of the clamp. Place the second tube (if applicable) into the second mouth of the clamp. With both frame's tubes in the clamp, be sure to lock securely, but do not overtighten. **TC:** Loosen the hex head bolt on the side of the clamp if not already loosened. Push the mouth of the clamp onto the tube and tighten using the hex head bolt.

Literature Pocket Assembly

Tube Connections

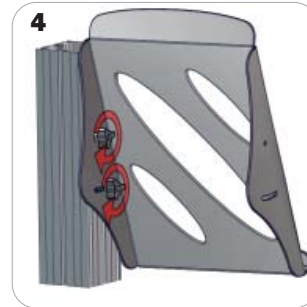
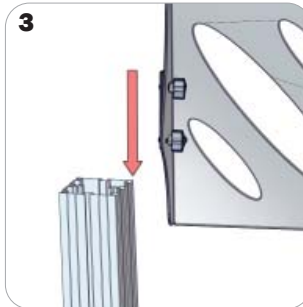
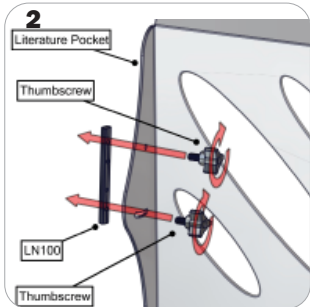
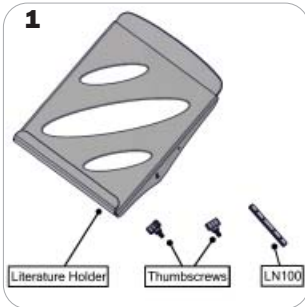
LN112



Locate and unpack your LN112 assembly. Assemble the components in the order shown in step 2. Before tightening into place, adjust angle. Use your allen key tool to lock the mounting screw. Attach the tube clamp to the tube in the desired location. Use your allen key tool to lock the clamp into place.

Extrusion Connections

LN112



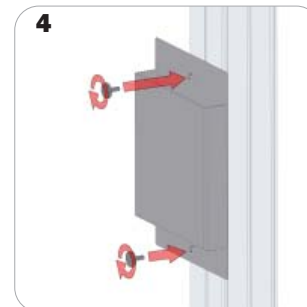
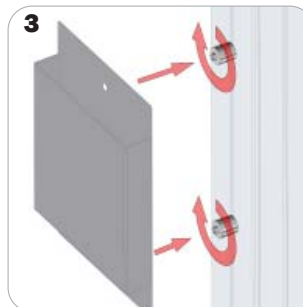
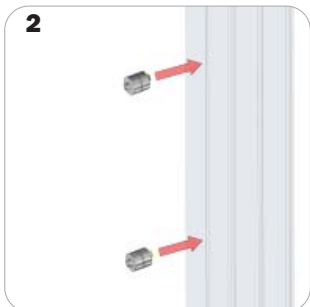
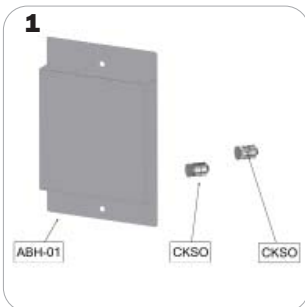
Locate and unpack your LN112 assembly. Assemble the components in the order shown in step 2, do not tighten. Slide the LN100 through the channel to the desired mounting location. Adjust angle. Hand tighten to lock into place.

LN112-2
LN112-3
LN112-4



Locate and unpack your literature pocket. Tilt your literature pocket so that the end of the flange sits inside of the desired horizontal channel. Rotate your literature pocket so the end of the flange rests inside of the channel.

ABH-01



Locate and unpack your ABH-01 assembly. Disassemble your CKSO standoff barrels by unscrewing their caps. Screw the long barrel base into the channel to lock into place. Align the holes of your ABH-01 literature pocket with the CKSO barrels, adjust the CKSO location if necessary. Screw the CKSO caps onto over the holes of the ABH-01 into the barrels.

Kit Assembly

Step by Step

Step 1.

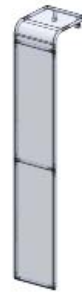
Gather the components necessary for assembling the frame and lay them flat on the floor. Assemble in the order as the Exploded Diagram instructs. Connectors snap into place using the pre-installed snap buttons.

Please reference Connection Method 2 for more details.



Step 2.

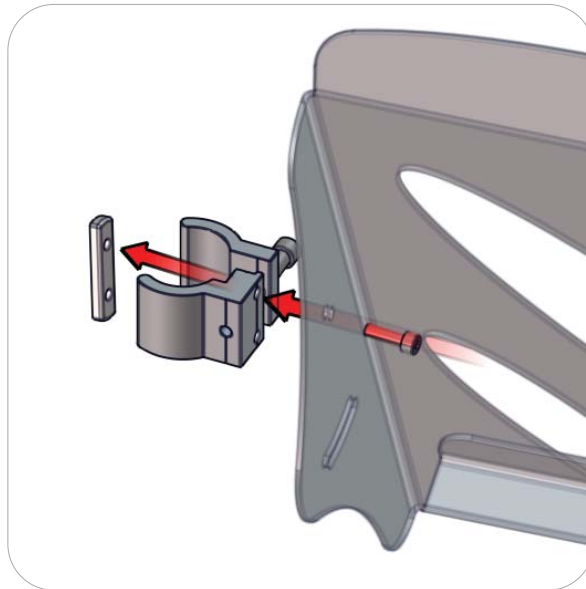
With frame laying flat on the floor, locate your pillowcase graphic. With the pillowcase unzipped, encase frame by covering the frame from bottom to top.



Step 3.

Locate your LN112 literature pockets. Attach the literature pockets to your frame using the TC-30 clamps.

Please reference your Literature Pocket Assembly sheet and Connection Method 4 for more details.



Step 4.

Locate the backwall and Frame A. Using the FMLT-WL15-T5 connect the frame to a backwall unit. Using the provided allen key set, attach the clamps to the tops of the frames as shown in the figure to the right.

Please reference Connection Method 4 for more details.

