

Imagine

IMG-800-S

With refined styling and a streamlined profile, the Imagine is packed with new design innovations. This banner stand is our most popular removable cassette roller system and has been specially designed for maximum convenience and ease of use.



literature pocket accessory addition



integrated pole storage



Banner Stand Accessories:
easy connection with cam lock and channel

features and benefits:

- Variable height = 30.5" - 83.35"
- Drop-in interchangeable cassette accommodates graphic media up to 17.72 millimeters thick*
- Telescopic pole with premium grip rail
- Integrated pole storage for the twist & lock telescopic pole
- Accessory channel featured on top of unit (to add a literature pocket or arm table accessory)
- Add your own branding using the slide in graphic channel along the banner stand base
- Premium form molded EVA bag included
- Graphic tensioner
- Anti-slip strips along base
- Lifetime warranty against manufacturer defects

dimensions:

Hardware

Assembled unit:

34.25" w x 87" h max x 8.50" d
870mm(w) x 2210mm(h) x 220mm(d)

Base dimensions:

34.10" w x 3.75" h x 8.50" d
865mm(w) x 95mm(h) x 215mm(d)

Weight:

10.9 lbs / 4.95 kgs (including carry bag)
(Installed graphic add weight)

Shipping

Shipping dimensions - ships in one box

37" l x 12" w x 5" h
920mm(l) x 290mm(w) x 110mm(h)

Approximate shipping weight:

17 lbs / 7.71 kgs shipping weight with graphic approx.

11 lbs / 4.95 kgs shipping weight without graphic approx.

additional information:

Graphic materials:
anti-curl vinyl, premium opaque fabric, melinex

Stand-off rectangle counter top is available in black thermoform only.

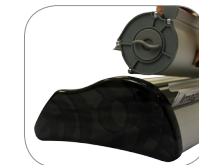
Stand-off literature rack is available (L112-2 only)

Graphic

Refer to related graphic template for more information

Visit: www.exhibitors-handbook.com/graphic-templates

Graphic tension may be re-applied or added by turning the ratchet tensioner clockwise.



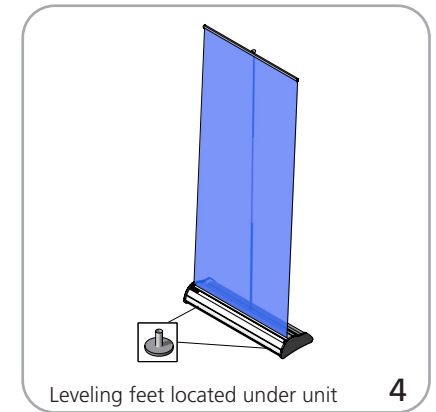
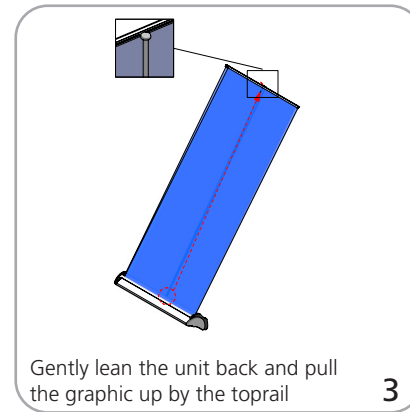
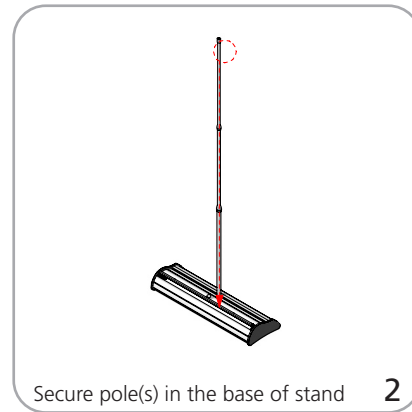
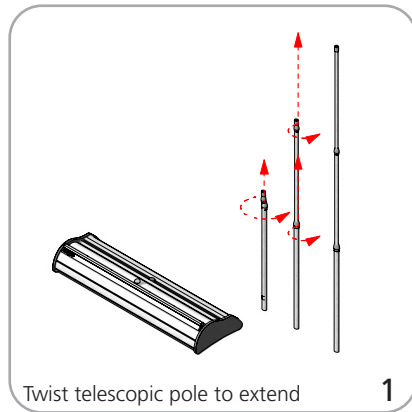
additional information:

Lumina 2 banner and LED Spot lighting option available

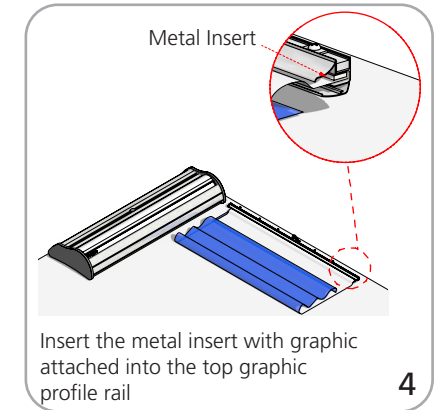
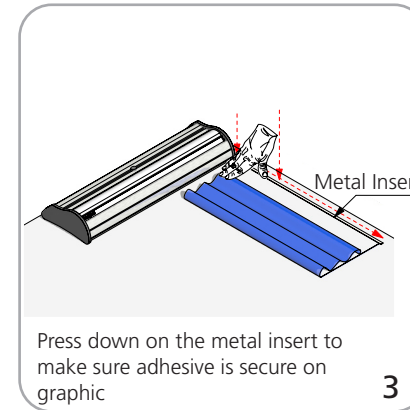
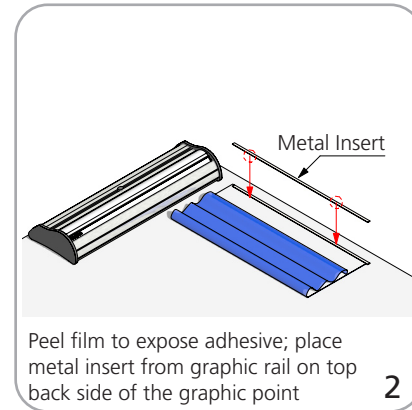
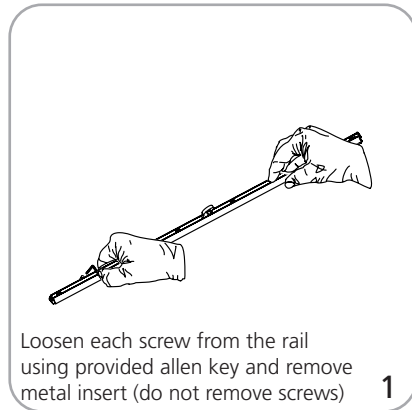


We are continually improving and modifying our product range and reserve the right to vary the specifications without prior notice. All dimensions and weights quoted are approximate and we accept no responsibility for variance. E&OE. See Graphic Templates for graphic bleed specifications.

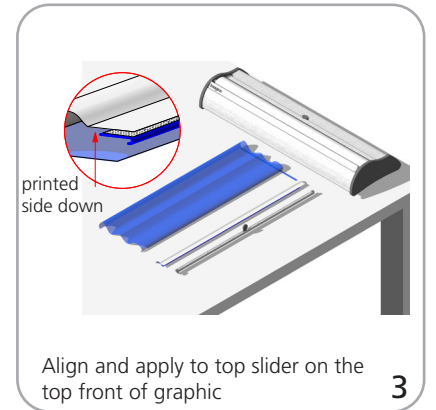
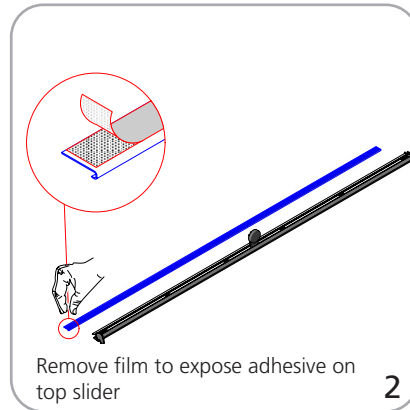
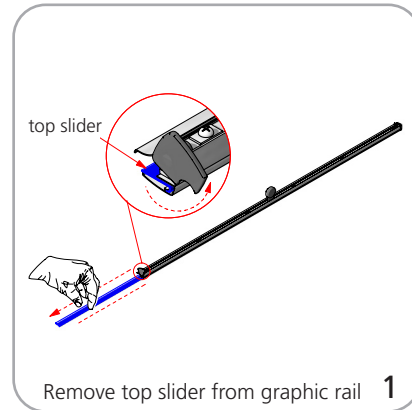
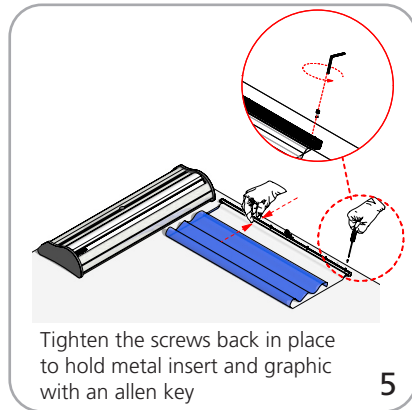
Set-up



Graphic to top rail attachment (metal insert)



Quick slide top rail attachment (plastic insert)



Graphic to base attachment

