

Linear Kiosk 01

LN-K-01

Dress up and add wow to your space with state-of-the-art multimedia kiosks.



features and benefits:

- Custom appearance
- Aluminum construction: vertical extrusions 50mm x 50mm
- Lockable counter with internal shelf
- Double-sided wing graphics
- Hardware kit includes: 1 OCH2 case, blank rigid counter infills, and monitor mount.
- Graphic kit includes: custom printed canopy graphic, counter infill and wings.
- Lifetime hardware warranty against manufacturer defects.

dimensions:

Hardware

Assembled unit:

54.4" w x 99" h x 24" d
1382mm(w) x 2515mm(h) x 610mm(d)

Counter

34.5" w x 39.4" h x 23.25" d
876mm(w) x 1001mm(h) x 590mm(d)

Internal shelf:

21.7" w x 18.1" d
550mm(w) x 458mm(d)

Shipping

Packing case:
1 OCH2 Case

Shipping dimensions:

52" w x 29" h x 15" d
1321mm(w) x 737mm(h) x 381mm(d)

Approximate total shipping weight

(includes cases & graphics):
125 lbs / 56.7 kgs

Graphic

Refer to related graphic template for more information.

Visit:

www.exhibitors-handbook.com/graphic-templates

additional information:

Graphic material:

Dye-sublimated fabric & UV prints on 6mm Sintra

Tabletop Colors



silver

black

mahogany

natural

Counter holds max weight: 100 lbs / 45 kg

Monitor mount holds max weight:

50 lbs / 23 kg

Wings can be upgraded to frosted plex

We are continually improving and modifying our product range and reserve the right to vary the specifications without prior notice. All dimensions and weights quoted are approximate and we accept no responsibility for variance. E&OE. See Graphic Templates for graphic bleed specifications.

Included In Your Kit

Tools, Components, Connectors & Extrusions



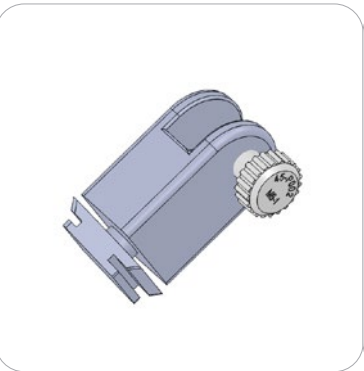
5MM ALLEN-T x1



SS1-S x4



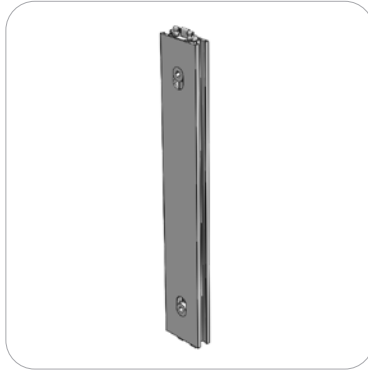
LN100-2 x2



PANEL CLAMPS x4



PH4-300-TG x2



PH-200-S-S x8



PS2-520-L-L-IN x1



PM2R8-1200-A165-A165 x4



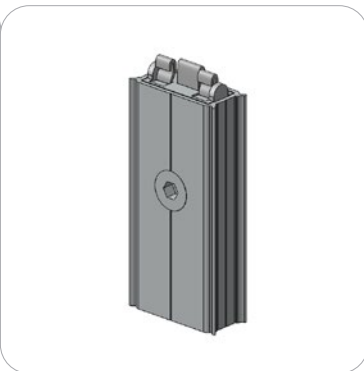
VF-K-CT-01 x1



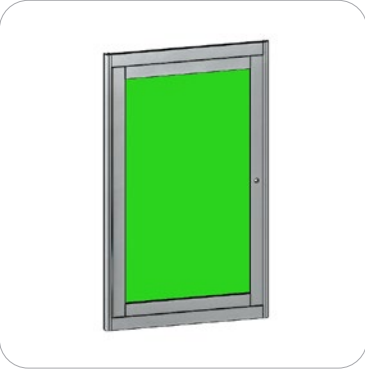
V-CU-CAB-02-S x1



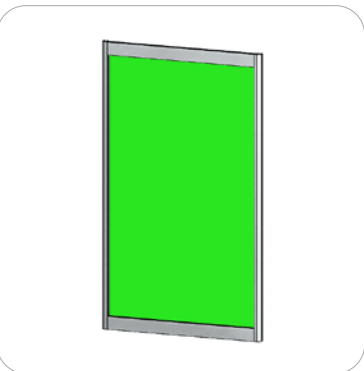
EXT-M-MB x1



PH4-75-L x2



V-CAB-01-DR x1



V-CAB-01-FR x1

Included In Your Kit

Tubes



V-K-CAN-01-T1 x2



V-K-CAN-01-T2 x2



V-K-CAN-01-T3 x2

Graphics



LN-K-01-A-G x1



LN-K-01-B-G x1



LN-K-01-C-G x1

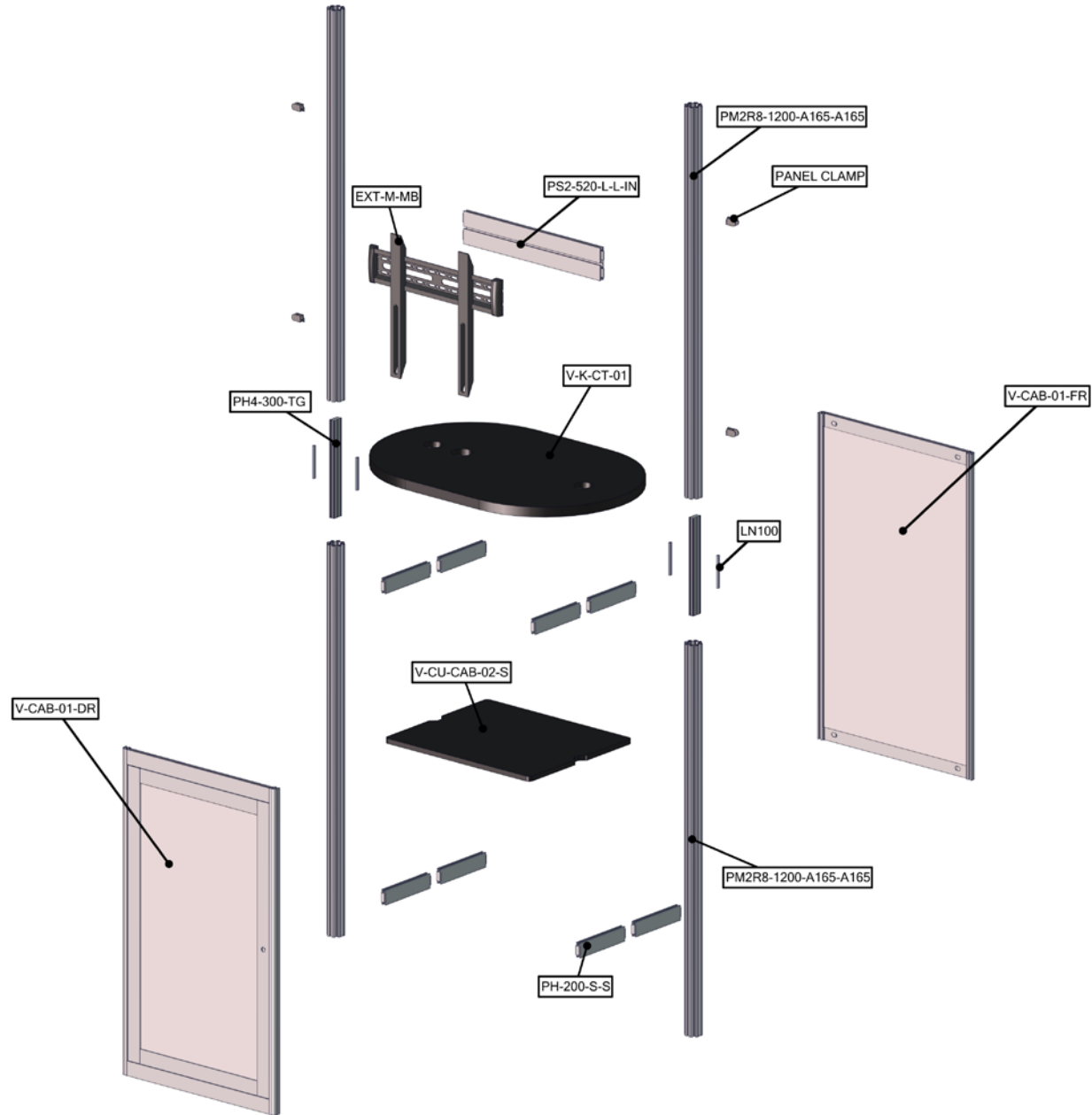


V-CAB-01-GF-KSD x4

Exploded View

LN-K-01

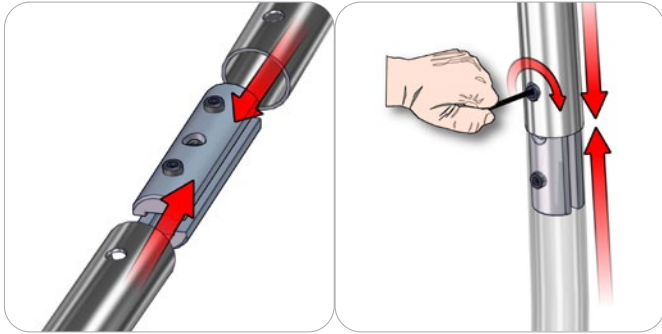
Kiosk



Connection Methods

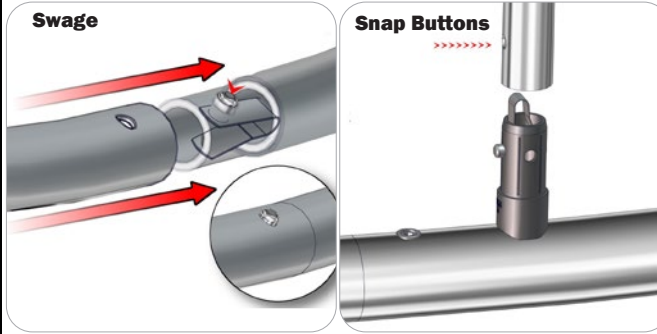
Extrusion based structures use a number of different yet simple connection methods. Your kit will include one or more of the connection methods shown below. Steps within the Kit Assembly will reference a specific method for each connection point.

Connection Method 1: ES30 / ES50 / ES75



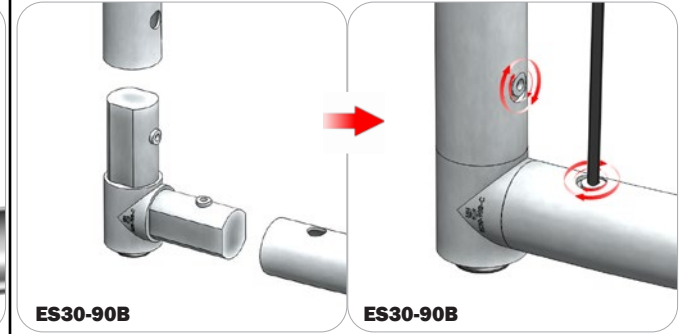
Compress the unlocked connector and slide one tube onto each end. Lock both screws carefully using your allen key tool. Be sure to lock securely, but do not overtighten.

Connection Method 2: Snap Buttons & Swage



Locate the snap button on the connector or swage tube. Locate the hole on the corresponding tube. Press the snap button with your thumb and slide the tube and connector together so that the snap button snaps fully into the lock hole. To disassemble, press the snap button and pull apart.

Connection Method 3: ES30-90B / ES30-I / ES30-C



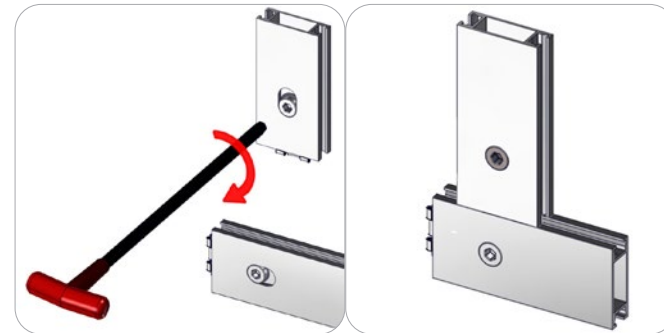
Compress one unlocked end of the connector and slide it through one tube end. Compress the other end of the connector and slide the second tube on. Lock both screws carefully using your allen key tool. Be sure to lock securely, but do not overtighten.

Connection Method 4: Tube Clamps



Be sure to fully assemble all frames before using clamps. With the clamp unlocked, place one tube of the first frame into the mouth of the clamp. Place the second tube (if applicable) into the second mouth of the clamp. With both frame's tubes in the clamp, be sure to lock securely, but do not overtighten.

Connection Method 5: Cam Lock / Slide Lock



A cam lock equipped extrusion can lock to any cam lock channel. With the cam lock unlocked, set the teeth of the cam lock into the desired position on the cam lock channel. Using your allen key tool, carefully turn the lock clockwise to lock in place. Be sure to lock securely, but do not overtighten.

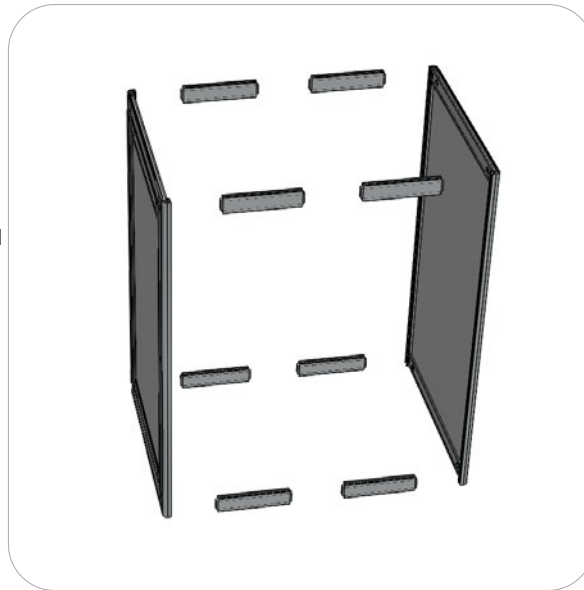
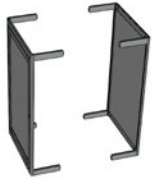
Kit Assembly

Step by Step

Step 1.

Gather, (8) PH-200-S-S, (1) V-CAB-01-DR, and (1) V-CAB-01-FR. Lock the PH-200-S-S flush to all four corners of the V-CAB-01-DR and V-CAB-01-FR. All lock holes should face toward the inside of the cabinet.

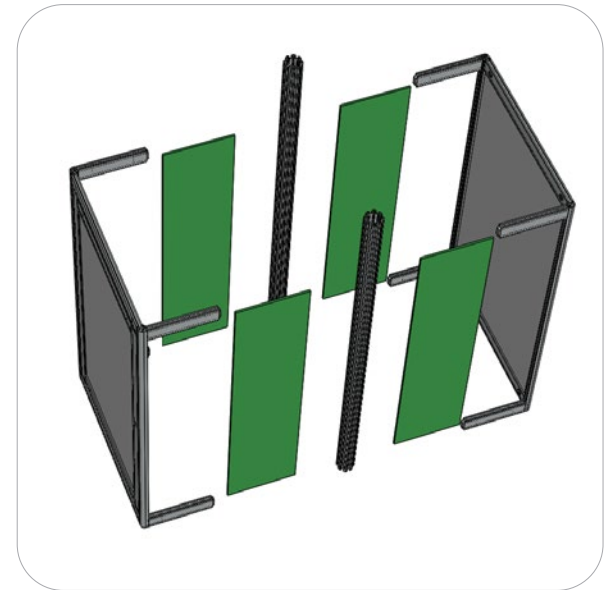
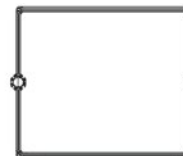
Please reference connection method 5 for more details.



Step 2.

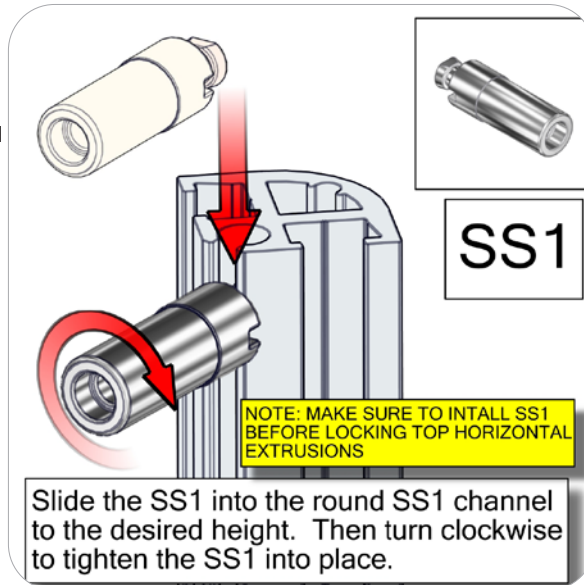
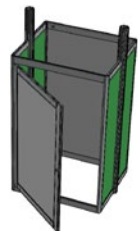
Locate (4) V-CAB-01-GF-KSD graphics and (2) PM2R8-1200-A165-A165. Slide your graphics into the channels on the side of the kiosk. Lock your PH-200-S-S into the PM2R8-1200-A165-A165 flush to the bottom of the extrusion. NOTE: Be sure to position PM2R8 posts so that the pin within the extrusion aligns with the PH-200-S-S as shown below.

Please reference connection method 5 for more details.



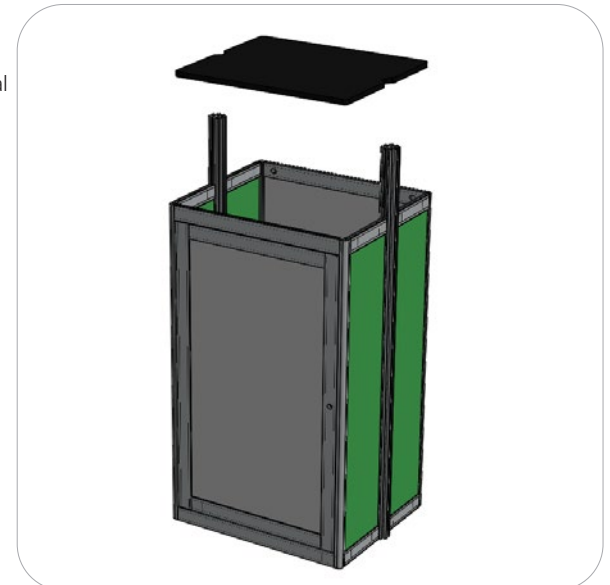
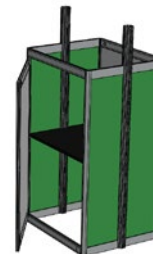
Step 3.

Gather (4) SS1-S shelf supports. Lock the four supports into the four corners of the kiosk at desired internal shelf height. Measure to ensure all four supports are level and the internal shelf will be clear of the door lock.



Step 4.

Slide your V-CU-CAB-02-S internal shelf into the kiosk, allowing it to rest on the SS1-S supports.

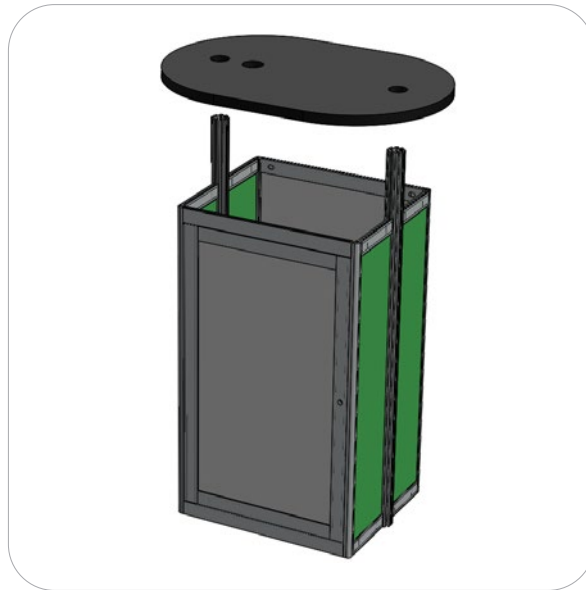
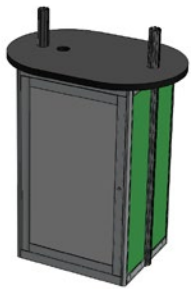


Kit Assembly

Step by Step

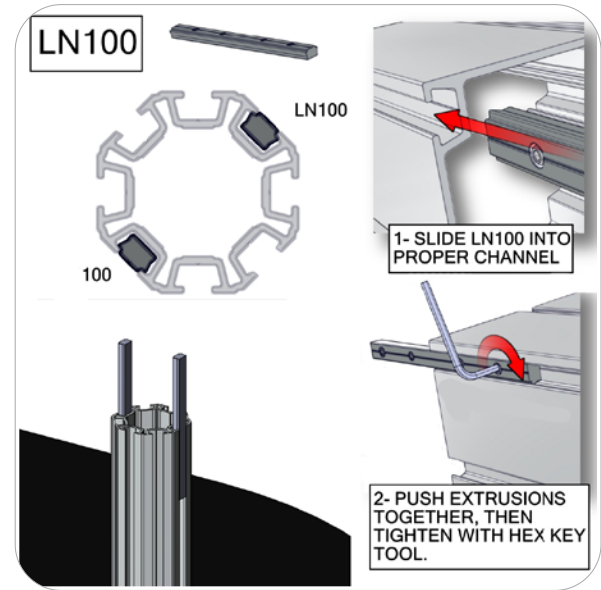
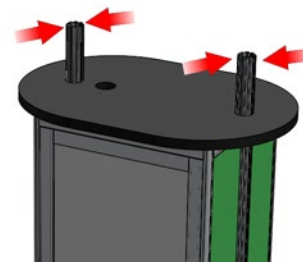
Step 5.

Place your V-K-CT-01 counter top.



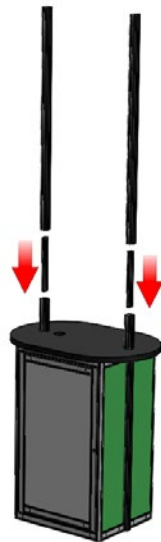
Step 6.

Apply both sets of LN100 to the end of your PM2R8-1200-A165-A165. Half of each LN100 should protrude from the end of the extrusion.



Step 7.

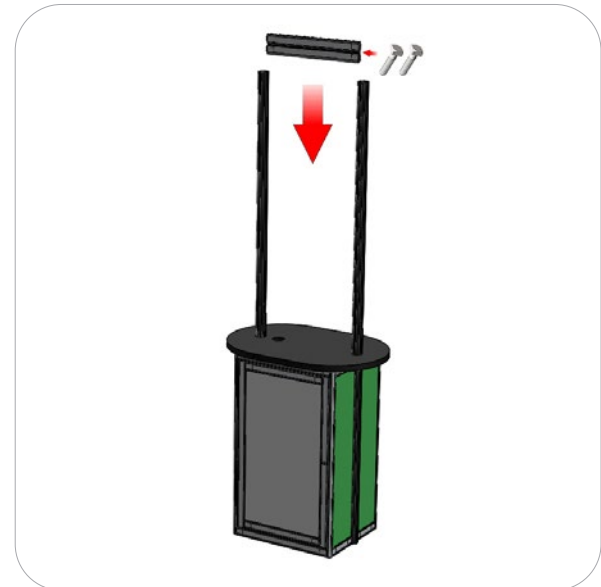
Gather (2) PH4-300-TG and (2) PM2R8-1200-A165-A165. Slide the PH4-300-TG into the holes of the assembled PM2R8 extrusions. Be sure to insert the PH4-300-TG so that it rests on the internal pin. Slide your PM2R8-1200-A165-A165 extrusions onto the PH4-300-TG in the same orientation as the lower extrusions. Lock your attached LN100s.



Step 8.

Begin this step by sliding the square head bolts from your monitor bracket into the channel of the PS2-520-L-L. Slide the PS2-520-L-L down the center channels of the PM2R8 posts. Lock into place at the desired monitor height.

Please reference connection method 5 for more details.



Kit Assembly

Step by Step

Step 9.

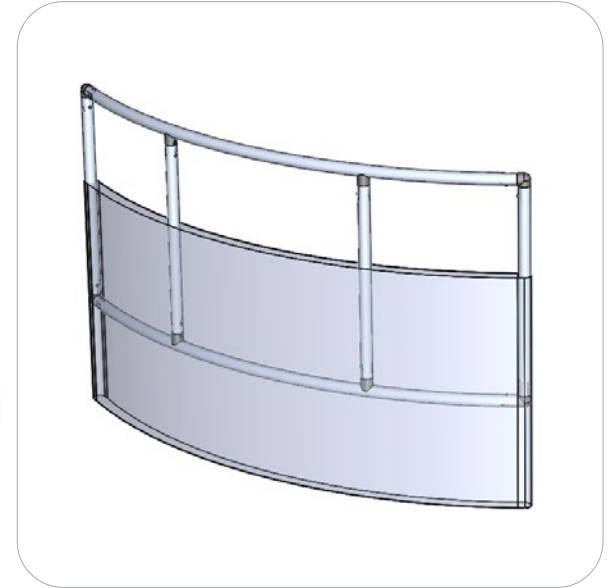
Assemble your canopy in order according to the Labeling Diagram.

Please reference connection method 2 for more details.



Step 10.

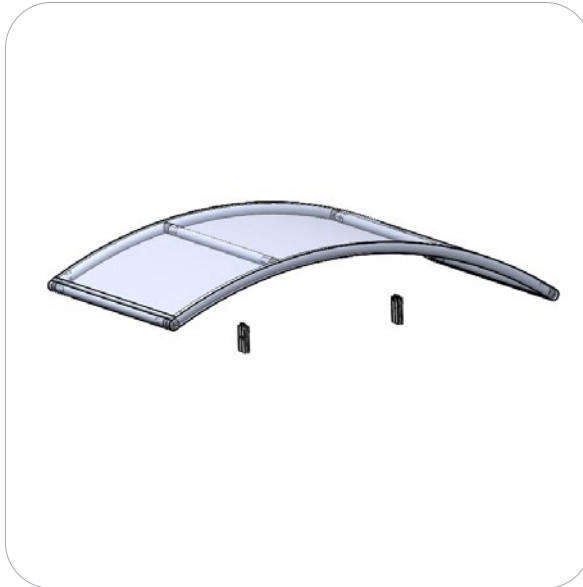
Locate the LN-K-01-C-G fabric pillowcase. Pull the pillowcase over the assembled canopy tube structure. Note: the holes in the pillowcase must be on the inside of the canopy's arch. Zip to enclose.



Step 11.

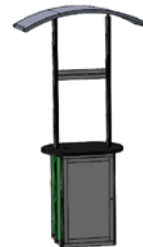
Locate (2) PH4-75-L and push them through the pre-cut holes of the canopy graphic. Lock into the slots of the tubes.

Please reference connection method 5 for more details.



Step 12.

Place your canopy on top of your kiosk so that the PH4-75-L extrusions slide into the PM2R8 pillars.

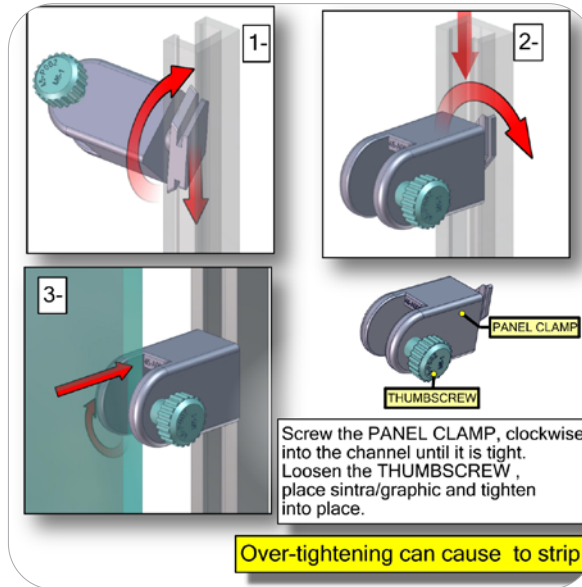


Kit Assembly

Step by Step

Step 13.

Connect your (4) Panel Clamps to the outer channels of your kiosk. Lock the wing graphics LN-K-01-A-G and LN-K-01-B-G to the sides of your kiosk.



Step 14.

Attach your OR-M-MB monitor mount to the PS2-520-L-L extrusion.

Please reference the Monitor Bracket Instruction sheets for more information.

Setup Complete



Monitor Bracket Instructions

Extrusion Channel Applications



EXT-SM-MB

Sizes: 17" - 37"

Max weight varies per application



EXT-M-MB

Sizes: 32" - 55"

Max weight varies per application

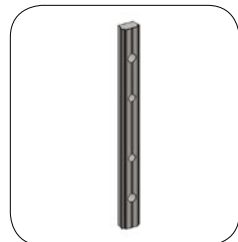


EXT-LG-MB

Sizes: 40" - 65"

Max weight varies per application

Included hardware:



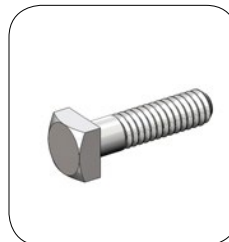
LN-100

x2



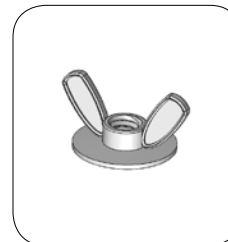
LN-LCD-SCW

x2



Square Bolt

x2

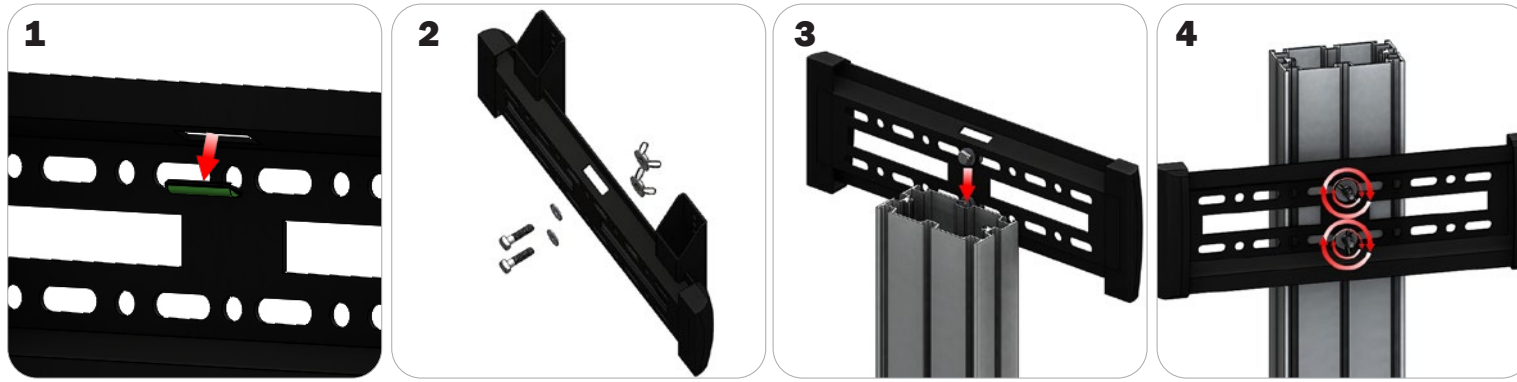


Wingnut

x2

EXTRUSION CONNECTION

Channel Connection A

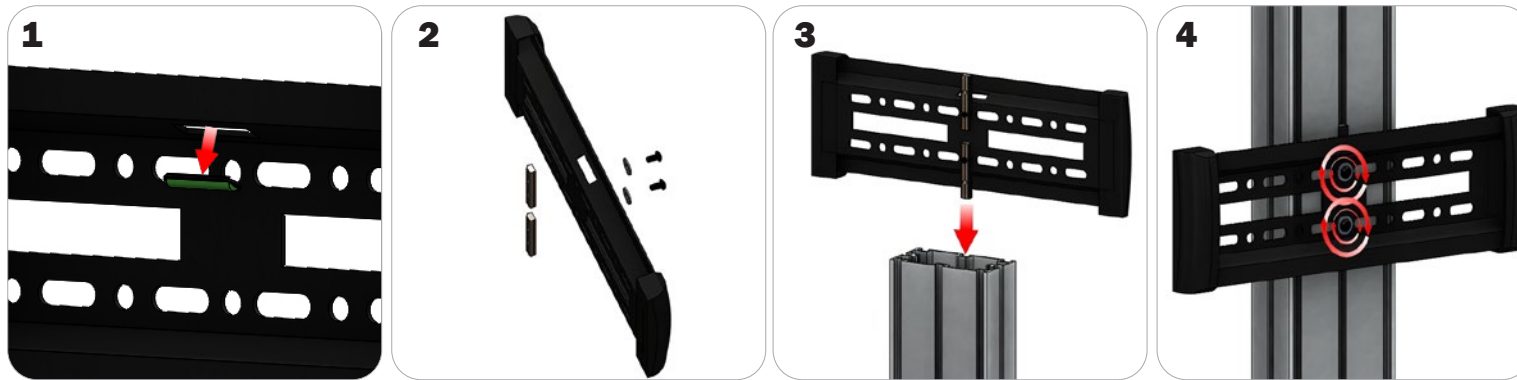


Locate all components needed to assemble the monitor mount with the channel connection A method. You will need (1) monitor bracket, (2) square head bolts, (2) washers, and (2) wingnuts.

Step 1: Apply pressure to the rear side of the leveling gauge clipped into the monitor mount to remove it. **Step 2:** Insert the provided bolts through the washers and center top and bottom holes of the monitor mount. Loosely thread your wingnuts onto the end of the bolts. **Step 3:** Slide the bolt heads down the extrusion channel.

Step 4: Tighten your wingnuts to lock the monitor bracket in place. **Step 5:** Reference the included manufacturer monitor mount instructions for fastening your monitor to the bracket.

Channel Connection B

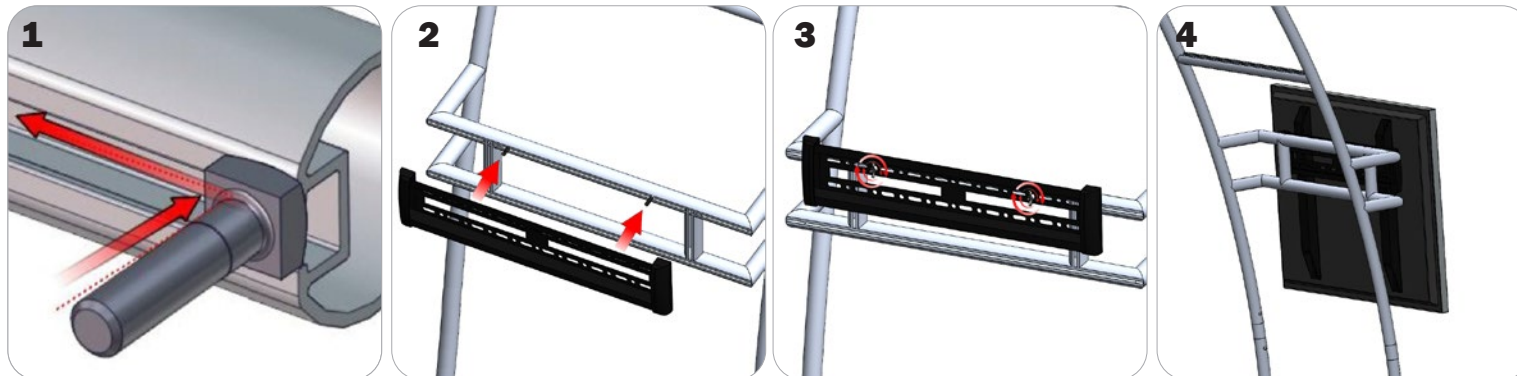


Locate all components needed to assemble the monitor mount with the channel connection B method. You will need (1) monitor bracket, (2) LN-LCD-SCW, (2) LN-100, and (2) washers.

Step 1: Apply pressure to the rear side of the leveling gauge clipped into the monitor mount to remove it. **Step 2:** Loosely thread the LN-LCD-SCW screws through the washers, the center top and bottom holes of the monitor bracket, and through the LN-50 holes. **Step 3:** Slide the LN-100s down the extrusion channel. **Step 4:** Tighten your LN-LCD-SCW to lock the monitor bracket in place.

Step 5: Reference the included manufacturer monitor mount instructions for fastening your monitor to the bracket.

TRI-30MM Channel Tube Connection



Locate all components needed to assemble the monitor mount with the TRI-30MM Channel Tube Connection method. You will need (1) monitor bracket, (2) Square Bolts, and (2) Wingnuts.

Step 1: Slip the head of the square bolts into the extrusion channel of the tube. **Step 2:** Apply your monitor bracket to the protruding square bolts. **Step 3:** Lock your monitor bracket to the square bolts using the provided wingnuts. **Step 4:** Reference the included manufacturer monitor mount instructions for fastening your monitor to the bracket.