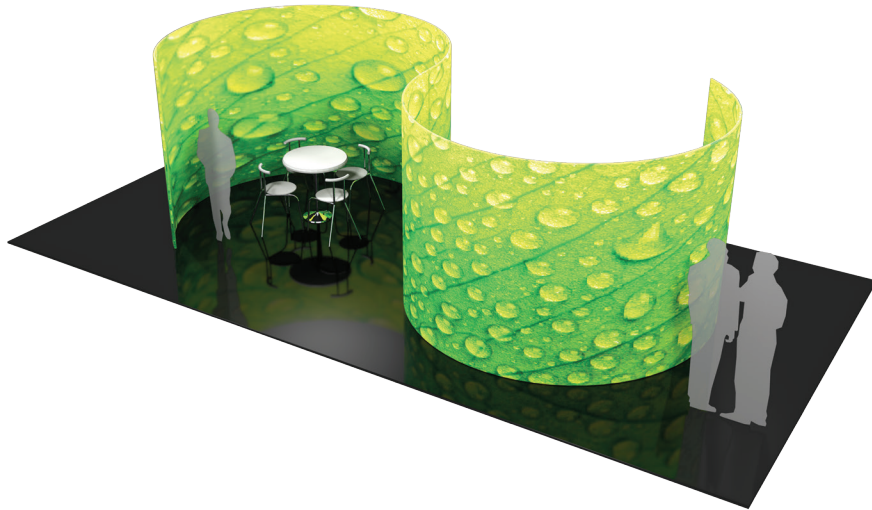


Formulate Serpentine Wall

S-WALL

Formulate™ tension fabric conference walls are lightweight, stylish solutions to your meeting space needs. Ergonomically designed, Formulate C-shaped and Serpentine-shaped walls combine the latest developments in fabric printed technology with gently curved 50mm aluminum frames to create private, cozy and stylish conference areas within any space.



We are continually improving and modifying our product range and reserve the right to vary the specifications without prior notice. All dimensions and weights quoted are approximate and we accept no responsibility for variance. E&OE. See Graphic Templates for graphic bleed specifications.

features and benefits:

- State-of-the-art 50mm curved aluminum tube frame with sturdy internal spigots
- Connects two C-shaped structures to create a multi-purpose Serpentine shaped display
- Ideally used as a wall that separates two mini-conference and meeting areas
- Kit includes: two frames, two dye-sublimated zipper pillowcase graphics, and two wheeled molded OCE storage cases
- Lifetime hardware warranty against manufacturer defects

dimensions:

Hardware	Graphic
Assembled unit: Two C-Shaped walls (each): 68.5625" w x 92" h	Total visual area: Outside: 271.6" w x 92" h 6899mm(w) x 2337mm(h)
Approximate weight (includes graphic): 146.3 lbs / 66.4 kg	Inside: 263" w x 92" h 6680mm(w) x 2337mm(h)
Shipping	Please be sure to include 5" bleed around the perimeter.
Shipping dimensions: 2 OCE cases: 18" l x 18" w x 40" up to 66" h 457mm(l) x 457mm(w) x 1016mm(h) up to 1675mm(h)	Refer to related graphic template for more information.
Approximate shipping weight (with case): 188.3 lbs / 85.4 kg	Visit: www.exhibitors-handbook.com/graphic-templates

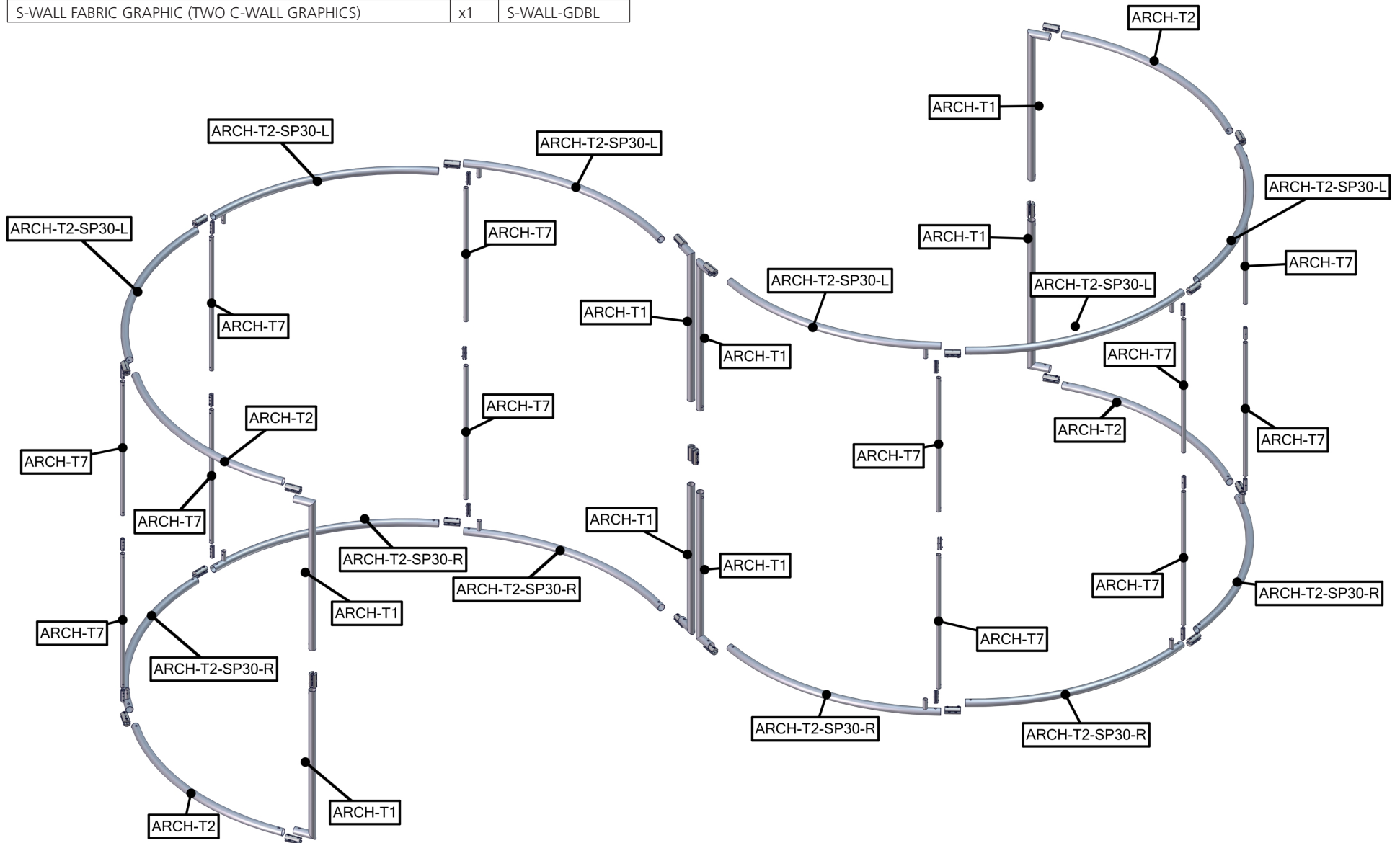
additional information:

Graphic material:
Dye-sublimated zipper pillowcase fabric



www.display-setup-animations.com

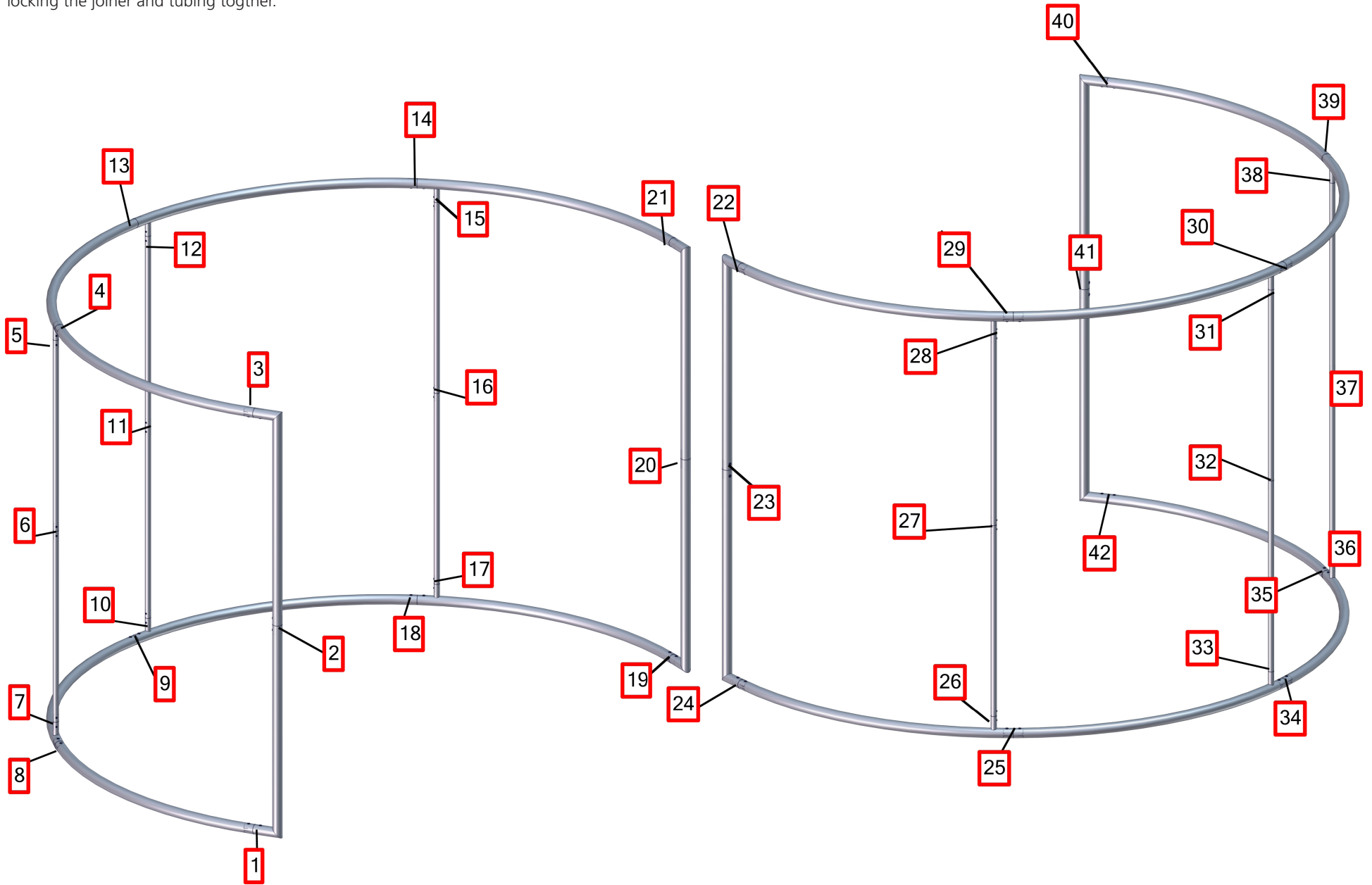
Parts Included		
Part Label	Qty	Part Code
50MM CORNER TUBE	x8	ARCH-T1
2" CURVED TUBE SECTION WITH 30MM SPREADER LEFT SIDE	x6	ARCH-T2-SP30-L
2" CURVED TUBE SECTION WITH 30MM SPREADER RIGHT SIDE	x6	ARCH-T2-SP30-R
2" CURVED TUBE SECTION	x4	ARCH-T2
30MM X 1048MM SPREADER	x12	ARCH-T7
EXPANDING SPIGOT FOR 30MM TUBE	x18	ES-30
EXPANDING SPIGOT FOR 50MM TUBE	x24	ES-50
S-WALL FABRIC GRAPHIC (TWO C-WALL GRAPHICS)	x1	S-WALL-GDBL



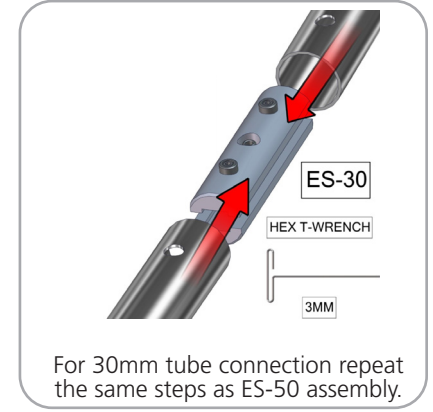
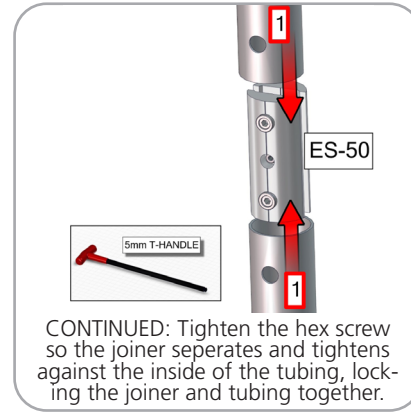
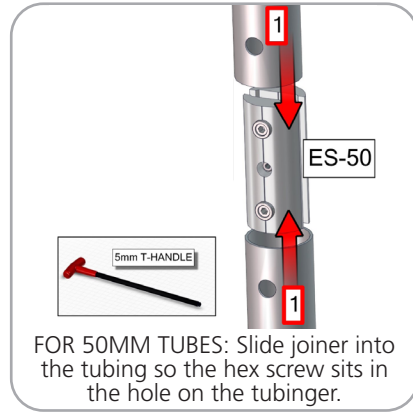
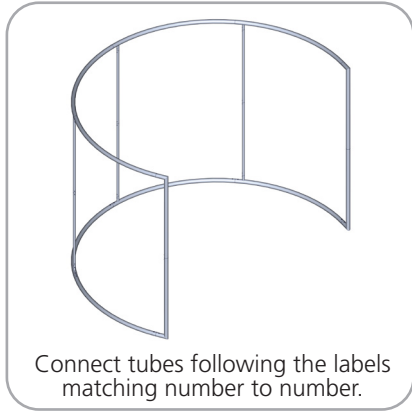
S-WALL FRAME ASSEMBLY:

Assemble unit by laying tubes flat on the floor. Connect the tube rails following the labels by matching number to number. See detailed drawing below.

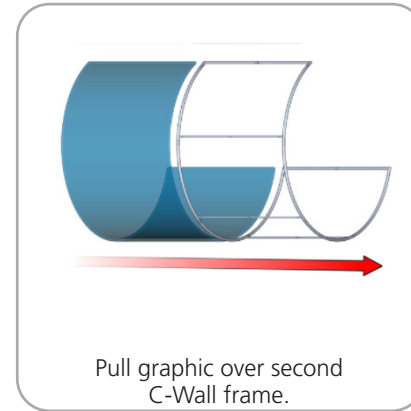
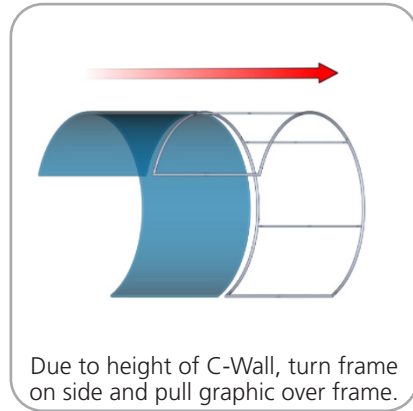
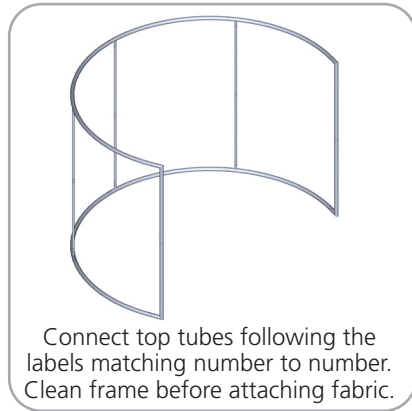
Slide joiner into tubing so hex screw sits in hole on tube. Tighten the hex screw so the joiner separates and tightens against the inside of the tubing, locking the joiner and tubing together.



STEP 1: ASSEMBLE FRAME



STEP 2: ATTACH GRAPHICS



STEP 3: ZIP GRAPHICS

