

# Vector Frame Counter 02

## VFC-02

Vector Frame™ counters compliment the Vector Frame series of exhibit kits, but are also ideal for any stand-alone event or display. Vector Frame counters couple simple extrusion-based frames with push-fit graphics or rigid sintra graphics. Tables are available in four colored finishes. Custom sizes also available.



## features and benefits:

- Feature push-fit fabric graphics and simple extrusion based frames
- Choose from four tabletop finishes
- Easy step-by-step instructions
- Allow for extra storage by removing one fabric panel
- OCH2 portable shipping case
- Lifetime limited warranty against manufacturer defects

## dimensions:

Hardware	Graphic
<p>Assembled unit: 55.5" w x 40.5" h x 22.5" d 1410mm(w) x 1029mm(h) x 571.5mm(d)</p>	<p>Total visual area: Front (wraps around counter): 106.375" w x 39.24" h 2702mm(w) x 997mm(h)</p> <p>Back: 20.62" w x 39.24" h 524mm(w) x 39.24mm(h)</p>
<p>Shipping</p> <p>Shipping dimensions - ships in 1 case: OCH2 case: 52" l x 30" w x 15" h 1300mm(l) x 750mm(w) x 400mm(h)</p> <p>Approximate shipping weight (entire kit): 93.14 lbs / 43.45 kgs</p>	<p>Please be sure to include a 2" bleed around the perimeter.</p> <p>Refer to related graphic template for more information</p> <p>Visit: <a href="http://www.exhibitors-handbook.com/graphic-templates">www.exhibitors-handbook.com/graphic-templates</a></p>

## additional information:

Graphic material:  
Dye-sublimated fabric

Tabletop color options:



silver



black



mahogany

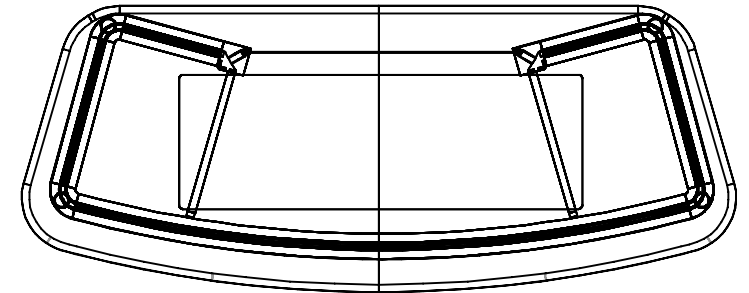


natural

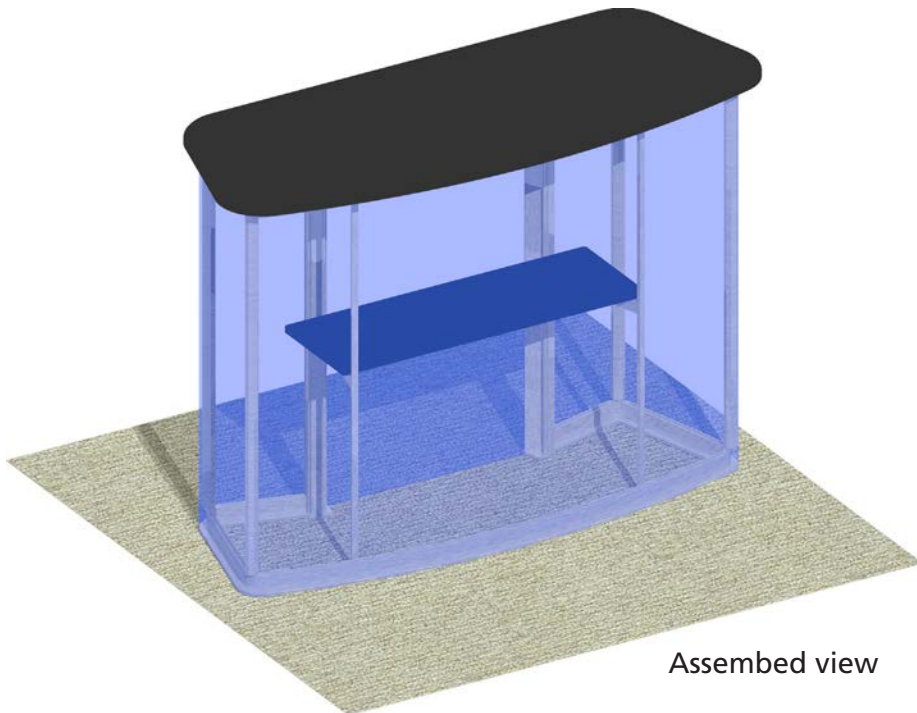
Counter holds max weight  
100 lbs / 45.36 kgs

Parts Included:

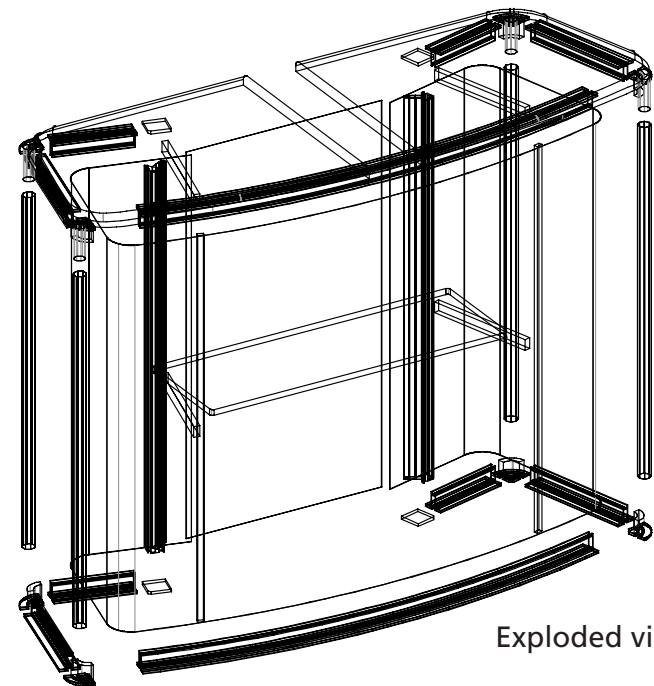
Code	Qty	Description
F49	x2	8R X 30 DEGREE PHFC2 EXTRUSION - WITH CAM LOCKS BOTH ENDS
F43	x4	300MM (11.81") PHFC2 EXTRUSION WITH LOCKS TWO ENDS
F47	x4	200MM (7.87") PHFC2 EXTRUSION WITH LOCKS TWO ENDS
F24	x2	986MM (38.32") PMFC2-90 EXTRUSION - WITH IB2 LOCK HOLES BOTH SIDES
CB10-R	x8	50MM ROUND PHCF2 CORNER BRACKET
VFC-02-CT	x2	COUNTERTOP FOR VECTOR COUNTER VFC-02
VFC-02-CT-S	x1	INTERNAL SHELF FOR VECTOR COUNTER VFC-02
VFC-02-B-G	x1	527MM (20.75")W X 1000MM (39.38")H FABRIC GRAPHIC W/FCE-2 ALL SIDES
VFC-02-A-G	x1	2705MM (106.5")W X 1000MM (39.38")H FABRIC GRAPHIC W/FCE-2 ALL SIDES
TUBE-30-910	x4	910MM (35.82") X 30MM TUBE WITH E530 HOLES BOTH ENDS
PMFC2-90 CAP	x4	PMFC2 90 DEGREE EXTRUSION CAP
VE-80	x4	288MM (11.34") PH1 EXTRUSION WITH LOCKS BOTH SIDES
PE-1000	x2	1000MM (39.38") PE EXTRUSION



Overhead view



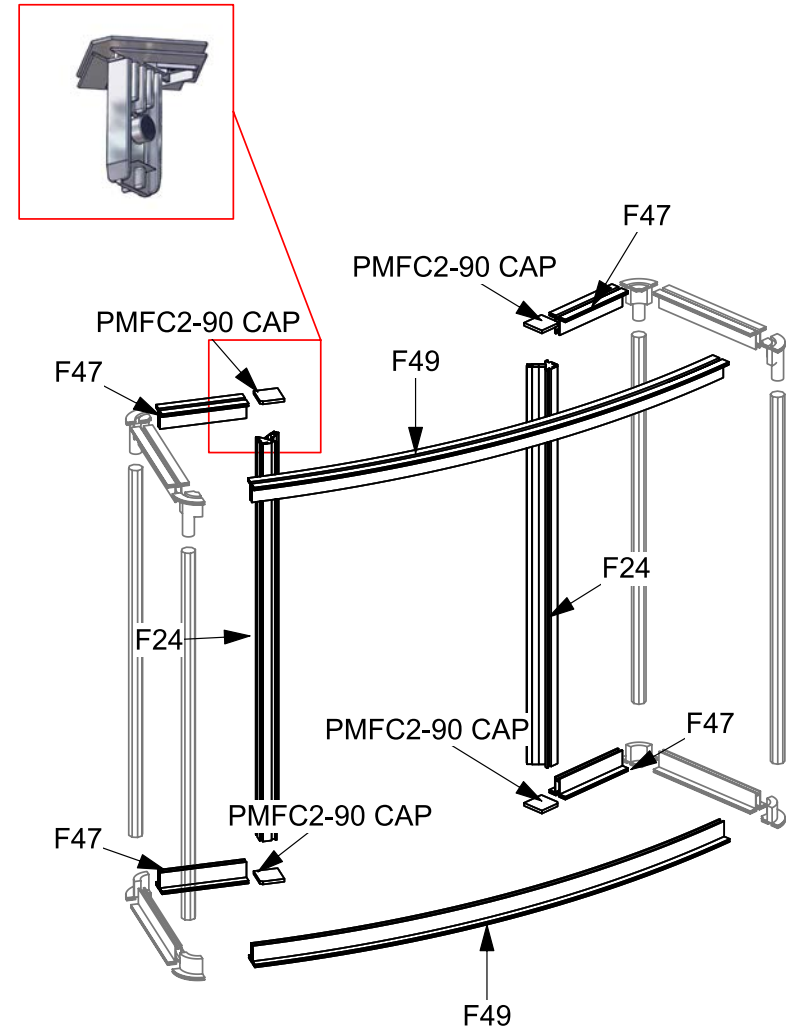
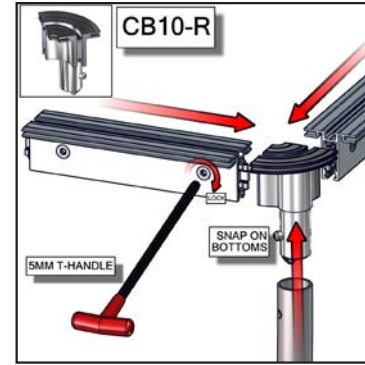
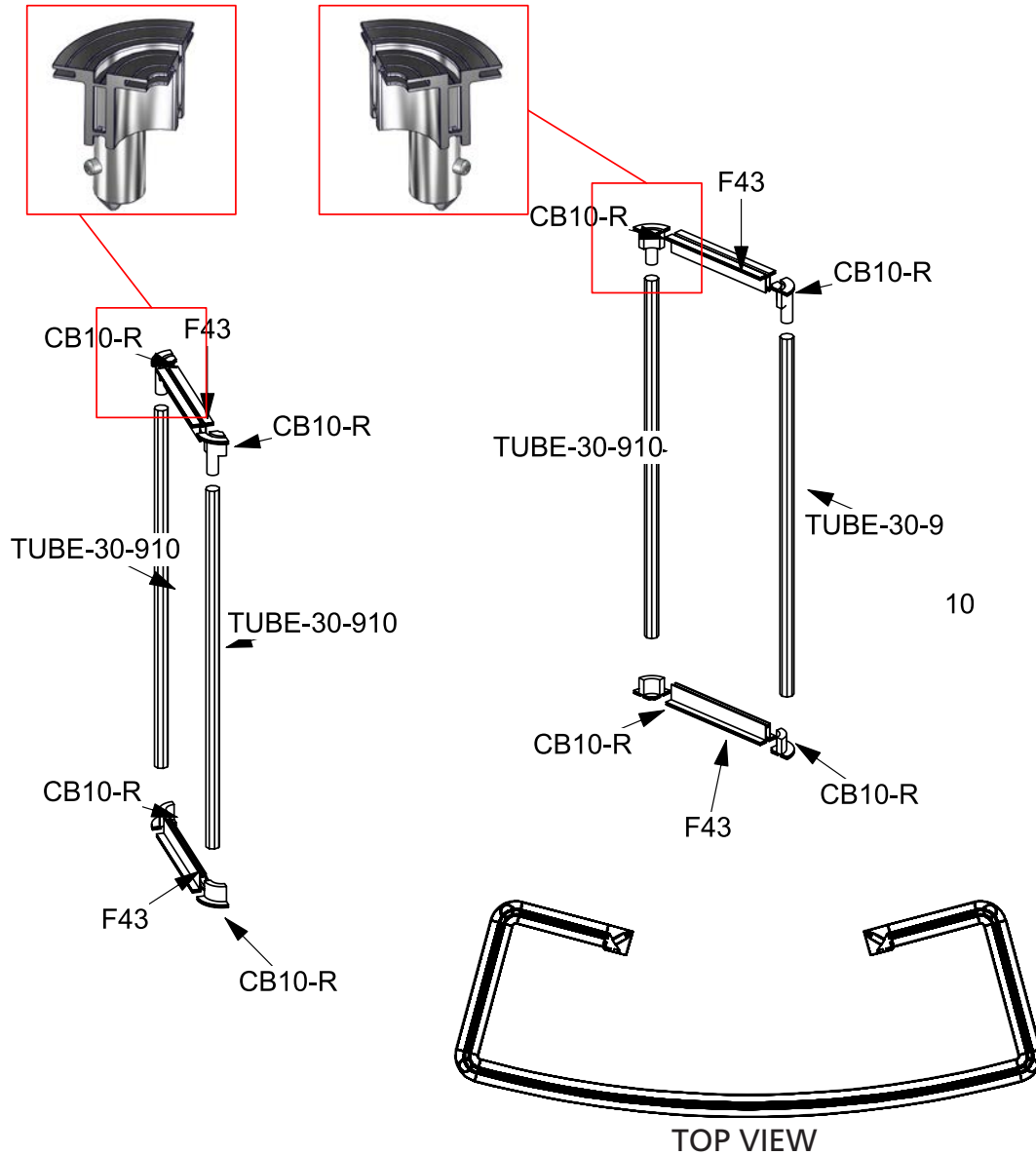
Assembled view



Exploded view

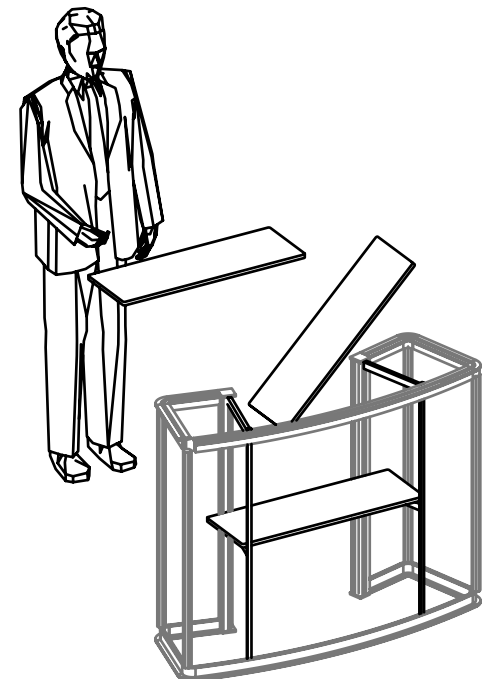
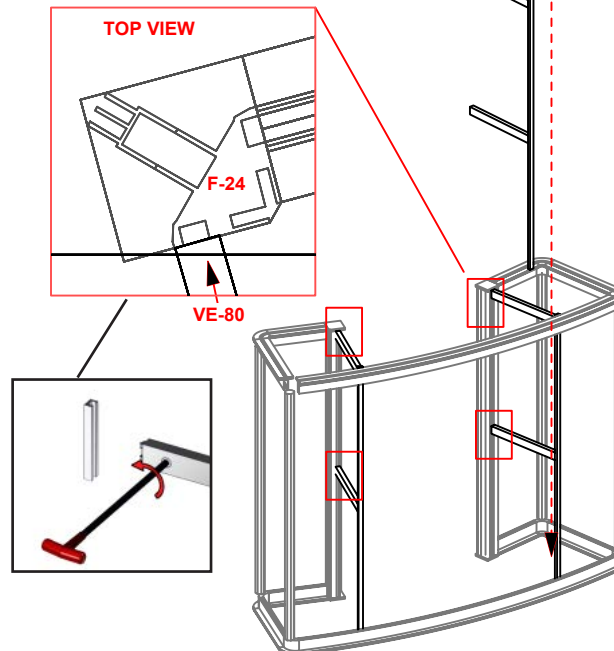
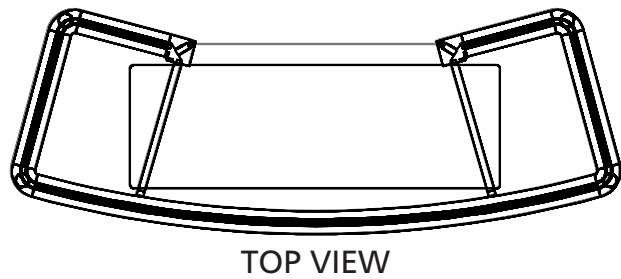
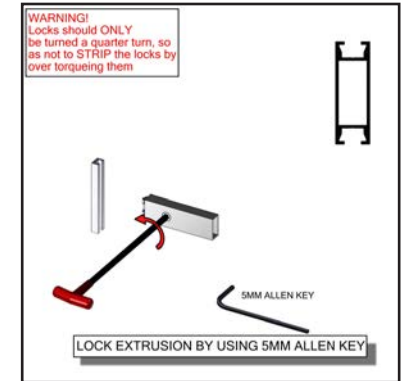
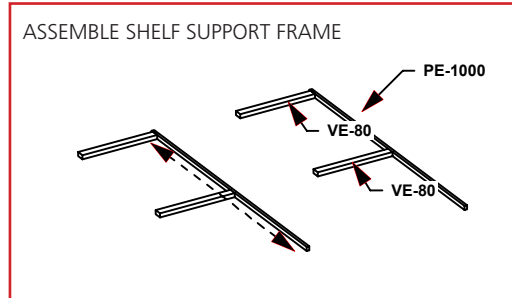
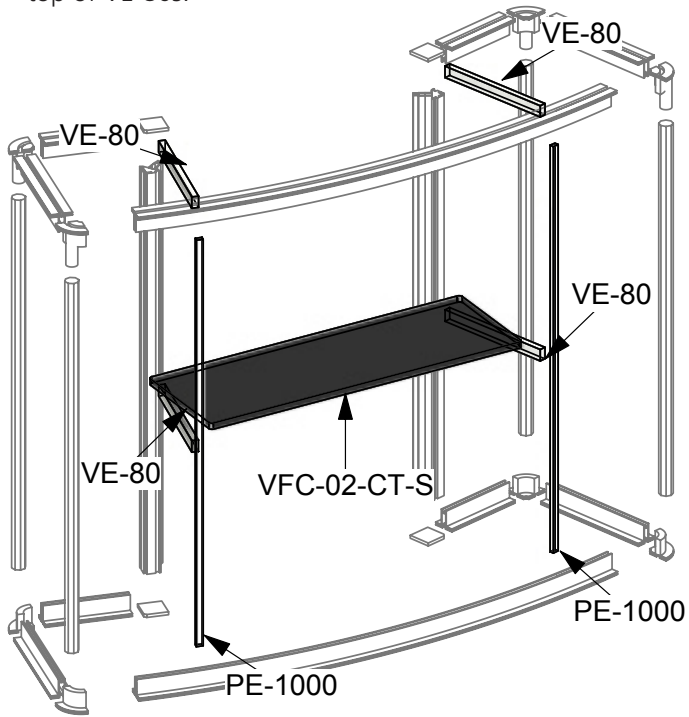
## Step 1: Assemble Counter Frame

Arrange pieces on the floor as shown in the diagram below. Assemble frame sides by securing F43 and TUBE-30-910 to CB10-R. Continue frame assembly by locking F47, F49 and F24s to the extrusion. When locking be sure to turn each cam a little bit and then go back and tighten to the proper tension. Take care to turn locks only a quarter turn, so as to not strip the locks by over tightening.



## Step 2: Install Internal Shelf

Assemble shelf support frame by securing VE-80 to PE-1000 extrusion. With VE-80 secured to PE-1000, slide PE-1000 into counter frame as shown below. Lock each frame to F-24 using Allen Key. Install internal shelf (VFC-02-CT-S) on top of VE-80s.



### Step 3: Apply Graphics & Attach Countertop

Apply push-fit fabric graphic(s) by pressing the FCE-2 edge of graphic into the channel of the extrusion. Start in upper left corner, go across the top and then down the sides to the bottom. Repeat for each side. Assure each graphic is tightly inserted. When taking graphics off, take care to gently pull by attached pull tab. Next, gently place the countertop onto the completed frame. Lock countertop into place using Hex Key.



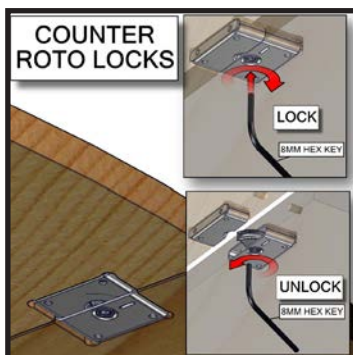
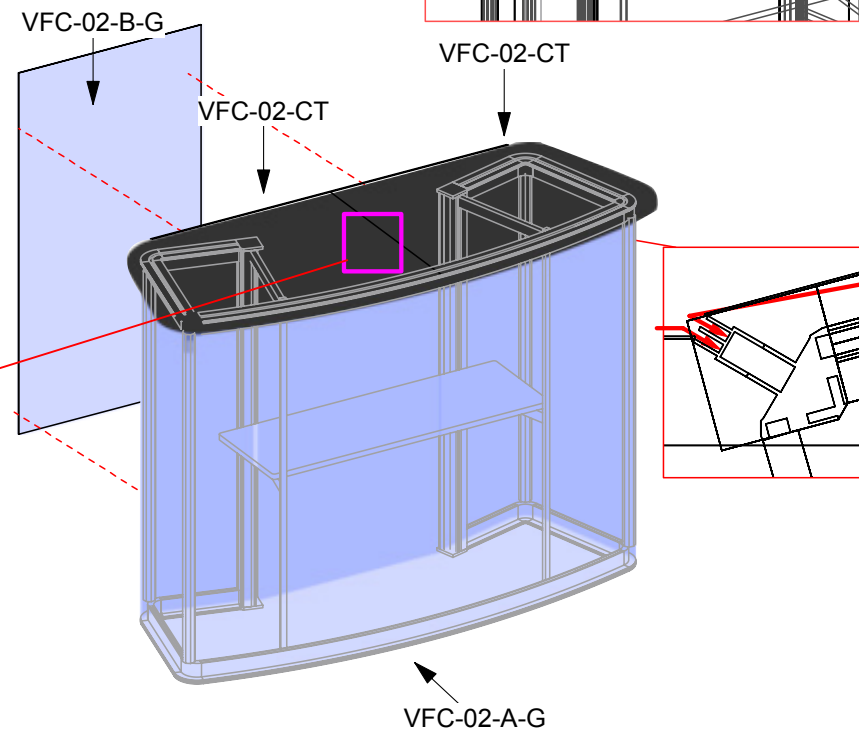
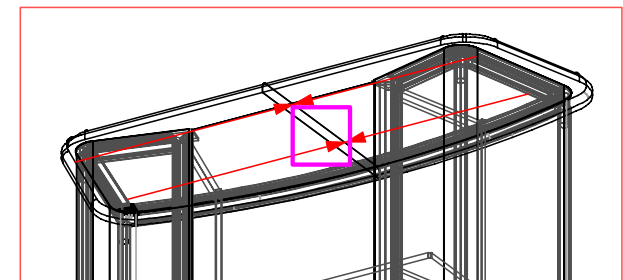
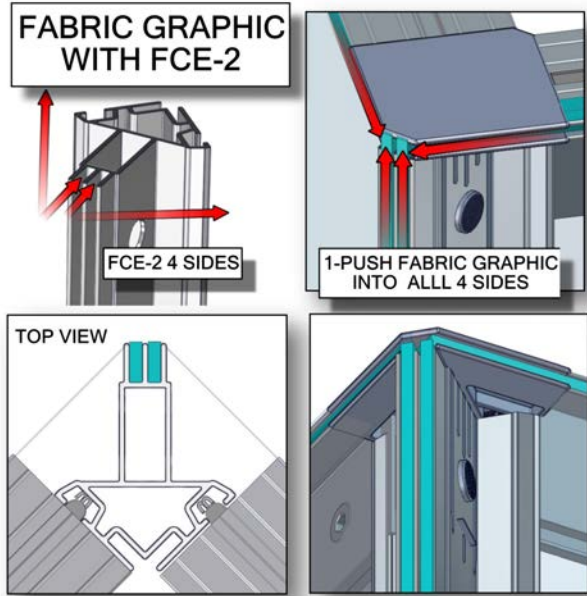
Push fabric with FCE-2 edge folded over into each corner of frame (1-4).



Press into the middle of the outside channel (5-8) and continue around perimeter.



To remove graphic, use the pull tab and gently pull graphic from frame.



# **PACKING INSTRUCTIONS**



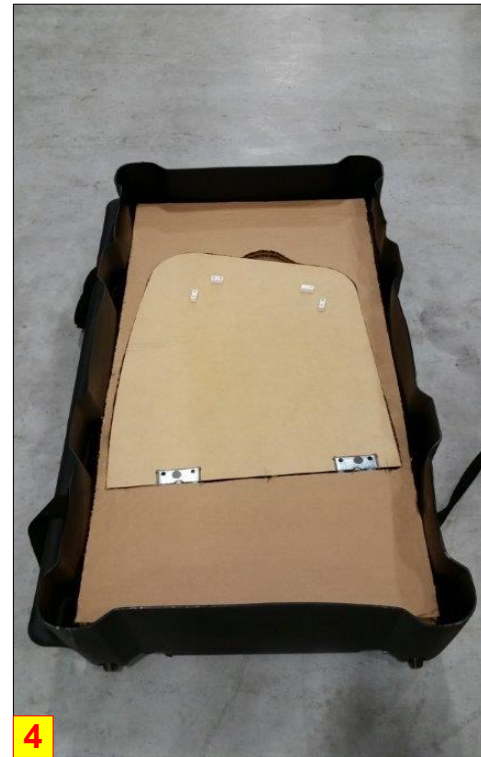
1



2



3



4



5



6



7

7 INSTRUCTIONS

6 (1) VFC-02-CT-S

5 SAVE/ DIVIDER

4 (1) VFC-02-CT

3 SAVE/ DIVIDER

2 (1) VFC-02-CT

1 (2) F49, (4) F43, (4) F47, (2) F24, (8) CB10-R,  
(4) TUBE-30-910, (4) PMFC2-90-CAP

# CASE # 1

<b>LEGEND</b>		GREY FOAM FOLDED TO FILL EMPTY SPACES OR USED AS PROTECTION
		1/8" CARDBOARD SPACER (PUT IN BETWEEN EVERY PANEL)
		DIVIDER
		1/4" WHITE FOAM (USED AS PROTECTION DOOR PANELS W/ LOCKS)

INTERNAL DIMS 48.25"L X 24"W X 14"H  
EXTERNAL DIMS 51.5"L X 29"W X 14.5"H

