

Formulate Wave Counter - 06

W-06-C-5

Formulate® counters couple lightweight hardware with state-of-the-art printed stretch silicone edge push-fit fabric graphics to create funky and functional reception stands.



features and benefits:

- Premium aluminum tube frames with cam lock assembly
- Easy to store and ship
- Counter top and base (come in a variety of colors)
- One push-fit fabric graphic
- Lifetime limited hardware warranty against manufacturer defects

dimensions:

Hardware	Graphic
Assembled unit: 120"w x 37.8"h x 24"d 3048mm(w) x 960mm(h) x 610mm(d)	Refer to related graphic template for more information.
Approximate weight with cases: 279 lbs / 127 kgs	Visit: www.exhibitors-handbook.com/graphic-templates

Shipping	additional information:
Packing case(s): OCH2 x3	Graphic material: dye-sublimation push-fit fabric graphic
Shipping dimensions: 52"l x 30"w x 14"h 1321mm(l) x 762mm(h) x 356mm(d)	Counter top Dimensions: 120"w x 1.18"h x 24"d Inside Radius 2' Outside Radius 5'
Approximate total shipping weight (includes cases & graphics): 302 lbs / 137 kgs	Counter top Max Weight Capacity: 45 lbs.

Wood Finish Options



We are continually improving and modifying our product range and reserve the right to vary the specifications without prior notice. All dimensions and weights quoted are approximate and we accept no responsibility for variance. E&OE. See Graphic Templates for graphic bleed specifications.

Included In Your Kit

Tools, Components, & Connectors



CT-W-06-C-01 x1



CT-W-06-C-02 x1



CT-W-06-C-03 x3



BASE-W-06-C-01 x1



BASE-W-06-C-02 x1



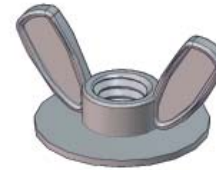
BASE-W-06-C-03 x3



TRI30-COUNTER x5



5/16X18X2 SET SCREW x30

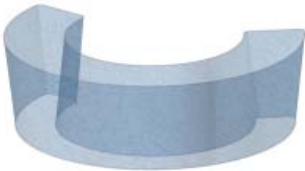


5/16-18 FLANGE WING NUT x30



5/16 L HEX KEY x1

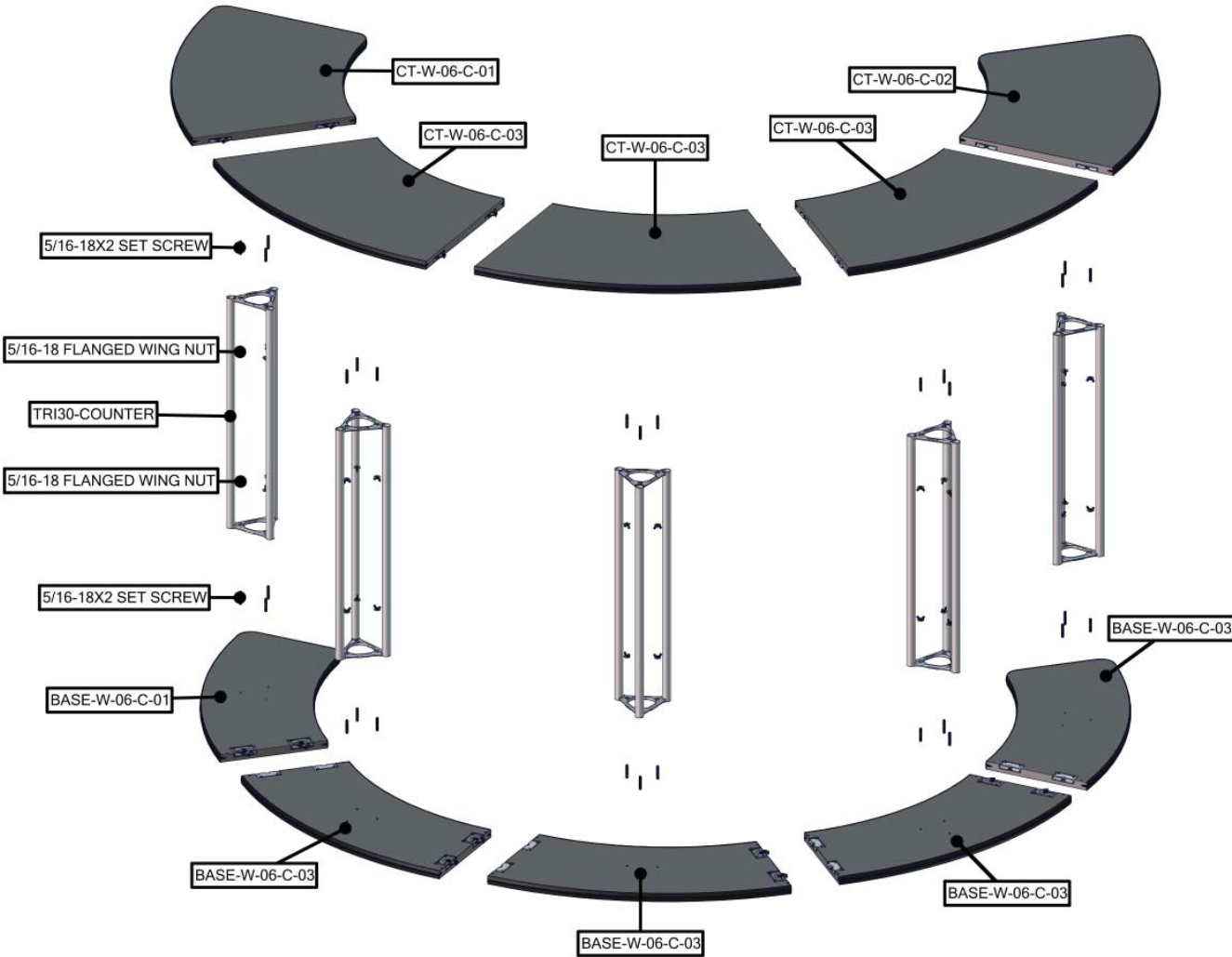
Graphics



W-06-C-5-G x1

Exploded View

W-06-C-5



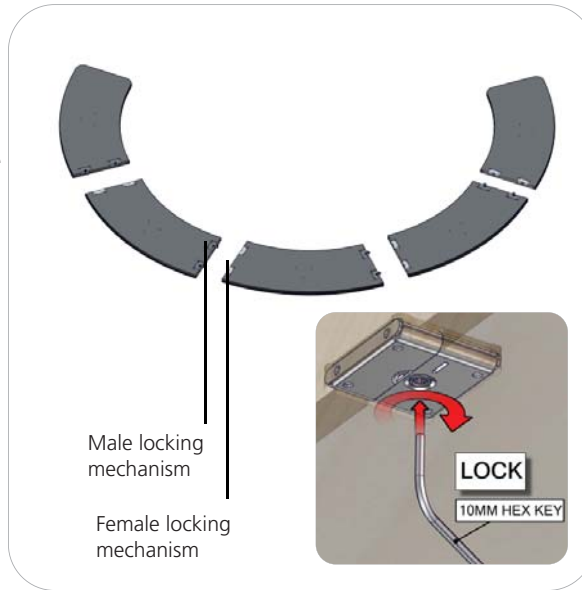
Kit Assembly

Step by Step

Step 1.

Locate your counter bases and position them together. Lock them together using the locking mechanisms on the top side of the bases. You will need your 10mm allen key to do so.

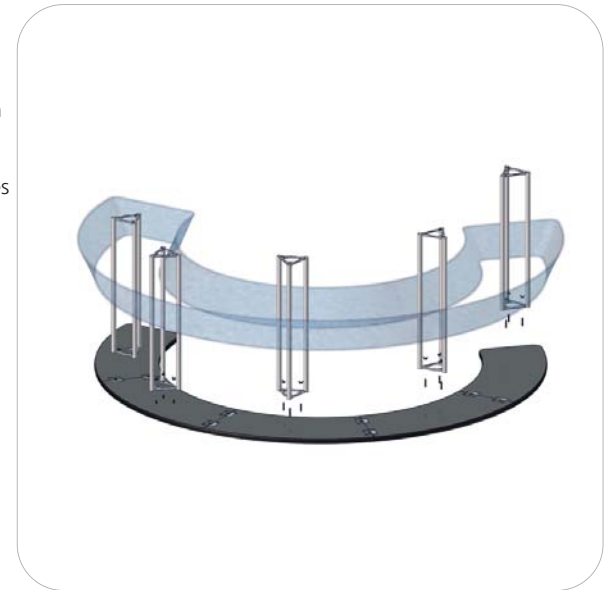
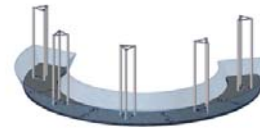
Reference the Exploded View for more information.



Step 2.

Locate your triangular truss and fastening hardware. Hand tighten the truss onto the bases. Locate your silicone edge graphic. Push the silicone edges into the grooves of the counter base assembly.

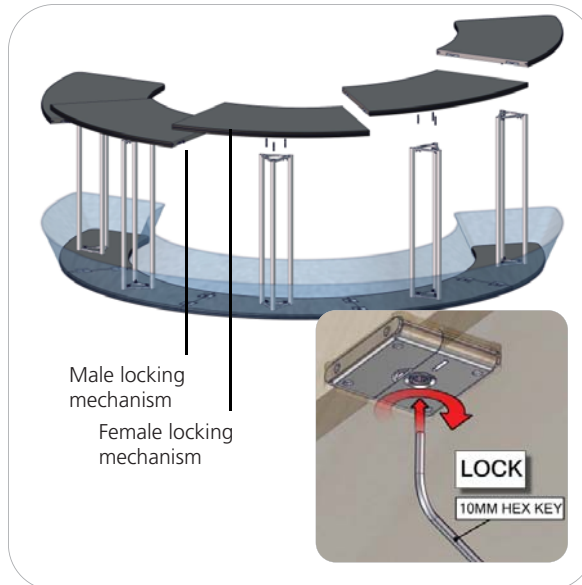
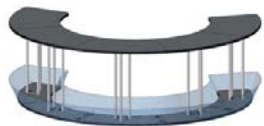
Reference the Exploded View for more information.



Step 3.

Locate your counter tops and fastening hardware. Starting from one end, hand tighten the truss on to the counter tops and lock them together using your 10mm allen key.

Reference the Exploded View for more information.



Step 4.

Pull up your silicone edge graphic. Push the silicone edges into the grooves of the counter top assembly.

Setup is complete.

