

Formulate 10' Horizontal Curve - Kit 5

FMLT-WH10-05

Formulate™ is a collection of sophisticated, ergonomically designed exhibit booths. Formulate combines state-of-the-art zipper pillowcase dye-sublimated fabric coverings with advanced lightweight aluminum structures to provide unique design, functionality, and style. The excellence of the Formulate line of displays, hanging structures and products is simply unmatched. Stretch fabric graphics are hand-sewn, durable and dry-cleanable.



We are continually improving and modifying our product range and reserve the right to vary the specifications without prior notice. All dimensions and weights quoted are approximate and we accept no responsibility for variance. E&OE. See Graphic Templates for graphic bleed specifications.

features and benefits:

- State-of-the-art 30mm aluminum tube frame with snap button assembly
- Easy to store and ship
- Quick to set up
- Kit includes: one frame, one dye-sublimated pillowcase zipper graphic, stand-off counter, and one wheeled molded OCL and OCH2 storage case
- Lifetime hardware warranty against manufacturer defects

dimensions:

Hardware	Graphic
<p>Assembled unit: 112.06" w x 92.763" h x 32.601" d</p> <p>Stand-off counter: 23.6" w x 92.7" h x 21.2" d</p> <p>Approximate weight (includes graphic): 46.5 lbs / 21 kgs</p>	<p>Total visual area: 123.125" w x 92" h</p> <p>Stand-off graphic total visual area: Top: 21" w x 17" h Bottom: 21" w x 38" h</p> <p>Please be sure to include a 2" bleed around the perimeter of dye-sublimated graphics and a 1/2" bleed around the perimeter of PCV graphics.</p>
Shipping	
<p>Shipping dimensions - ships in two cases: One OCL case: 19" l x 19" w x 56" h One OCH2 case: 52" l x 30" w x 15" h</p> <p>Approximate shipping weight (with cases): 96.5 lbs / 43.7 kgs</p>	<p>Refer to related graphic template for more information.</p> <p>Visit: www.exhibitors-handbook.com/graphic-templates</p>

additional information:

Graphic materials:
Dye-sublimated zipper pillowcase fabric,
3mm white PVC, 6mm white PVC

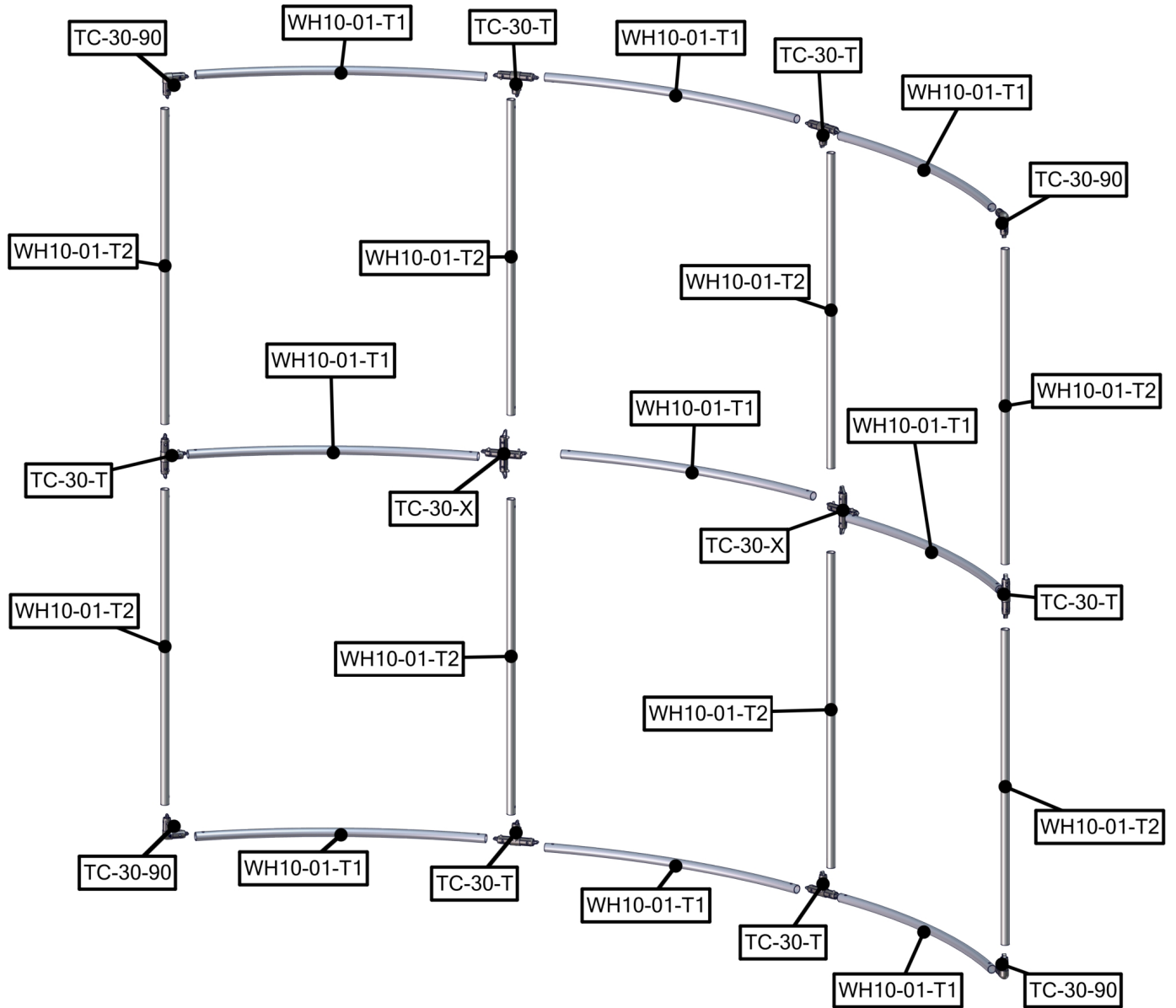
Counter holds max weight = 10 lbs / 4.5 kgs

Table colors:

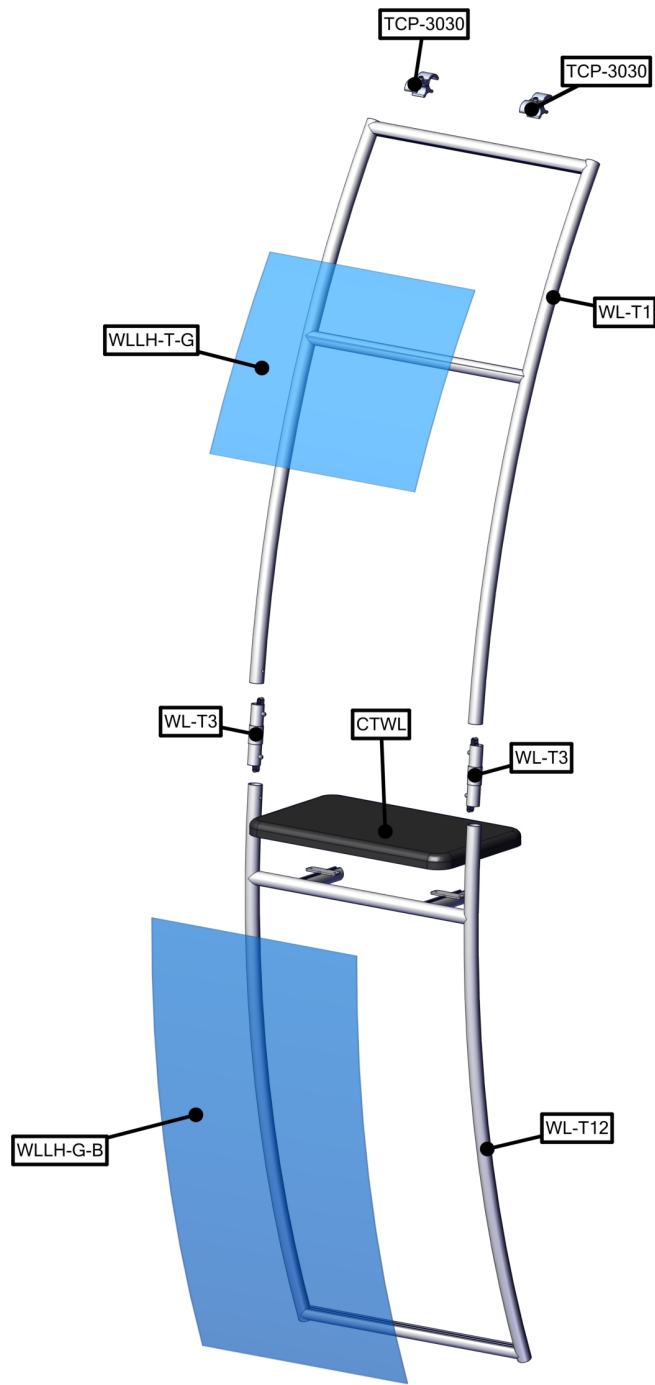


www.display-setup-animations.com

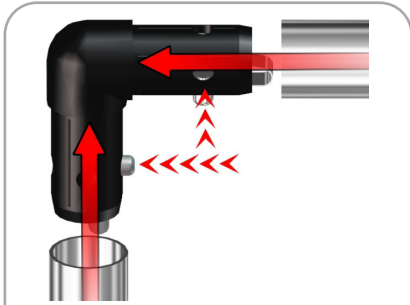
Parts Included		
Part Label	Qty	Part Code
FABRIC GRAPHIC	x1	WH10-01-G
90 DEGREE ELBOW JOINT FOR 30MM TUBING	x4	TC-30-90
T JUNCTION FOR 30MM TUBING	x6	TC-30-T
4 WAY JUNCTION FOR 30MM TUBING	x2	TC-30-X
R2000MM X 30MM TUBE (997MM ARC)	x9	WH10-01-T1
1114MM X 30MM TUBE	x8	WH10-01-T2



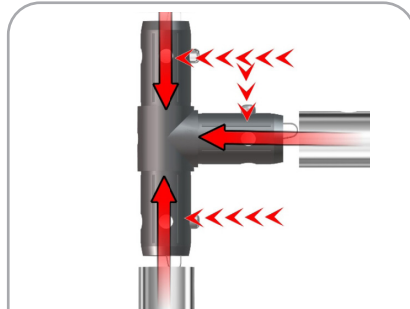
Parts Included		
Part Label	Qty	Part Code
520 X 300 X 30 COUNTER	x1	CTWL03
PARALLEL TUBE CLAMP FOR 30MM TUBES	x2	TCP-3030
30MM TUBE SECTION	x2	WL-T3
30MM TUBE SECTION	x1	WL-T12
30MM TUBE SECTION	x1	WL-T1
TOP SINTRA GRAPHIC	x1	WLLH-T-G
BOTTOM SINTRA GRAPHIC	x1	WLLH-G-B



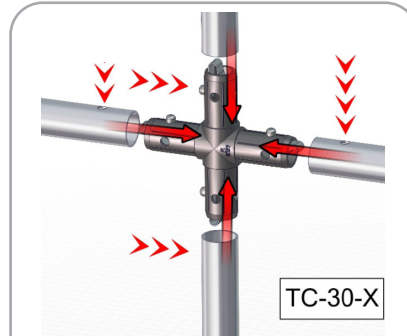
STEP 1: ASSEMBLE FRAME



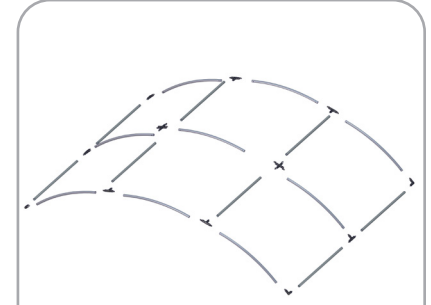
Assemble top frame corners using TC-30-90. Label codes will be on backside of tube. It is best to assemble frame laying flat.



Connect top and bottom sides of frame using TC-30-T by lining up holes with snap buttons.

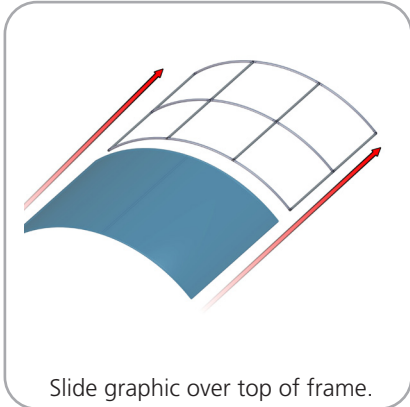


Use TC-30-X to connect middle frame sections; snap on button.

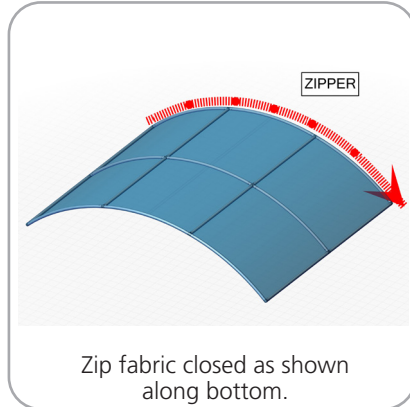


Frame assembly is complete once all sides and middle are connected.

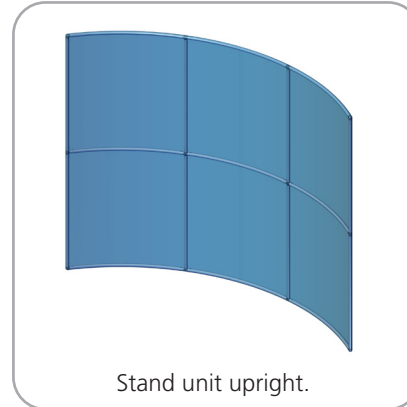
STEP 2: ATTACH GRAPHIC



Slide graphic over top of frame.

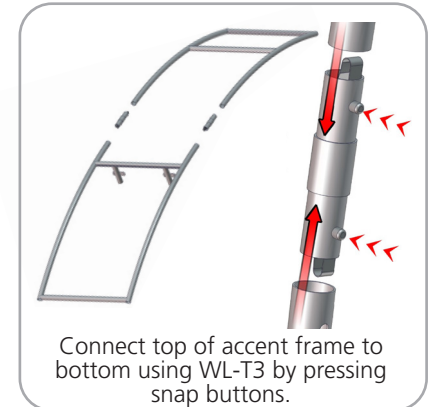


Zip fabric closed as shown along bottom.



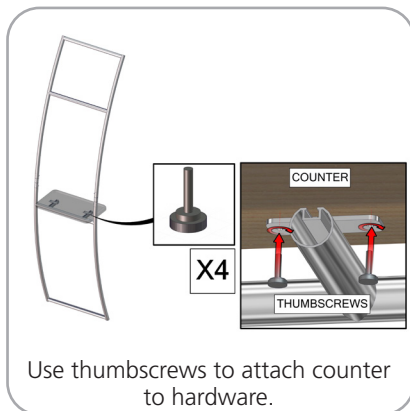
Stand unit upright.

STEP 3: ASSEMBLE LADDER FRAME



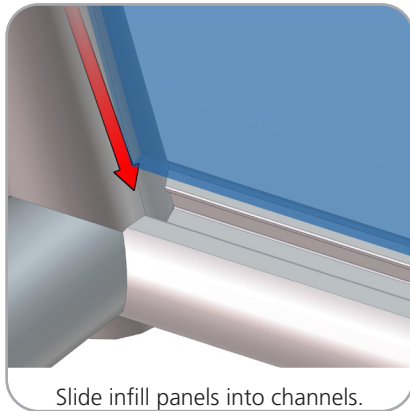
Connect top of accent frame to bottom using WL-T3 by pressing snap buttons.

STEP 4: ATTACH COUNTER TO LADDER



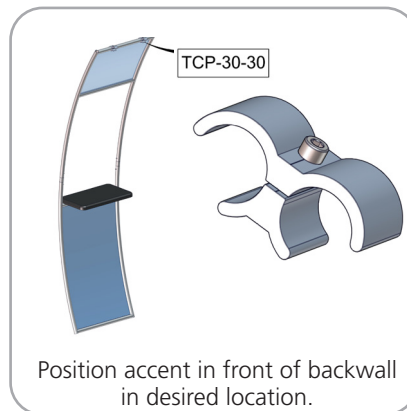
Use thumbscrews to attach counter to hardware.

STEP 5: ATTACH GRAPHICS

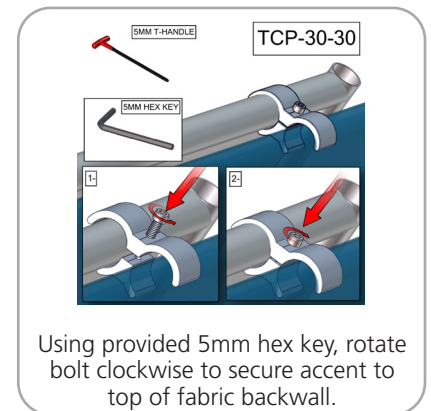


Slide infill panels into channels.

STEP 6: ATTACH TO BACKWALL WITH CLAMPS



Position accent in front of backwall in desired location.



Using provided 5mm hex key, rotate bolt clockwise to secure accent to top of fabric backwall.