

# Formulate 10' Horizontal Curve - Kit 7

## FMLT-WH10-07

Formulate™ is a collection of sophisticated, ergonomically designed exhibit booths. Formulate combines state-of-the-art zipper pillowcase dye-sublimated fabric coverings with advanced lightweight aluminum structures to provide unique design, functionality, and style. The excellence of the Formulate line of displays, hanging structures and products is simply unmatched. Stretch fabric graphics are hand-sewn, durable and dry-cleanable.



We are continually improving and modifying our product range and reserve the right to vary the specifications without prior notice. All dimensions and weights quoted are approximate and we accept no responsibility for variance. E&OE. See Graphic Templates for graphic bleed specifications.

## features and benefits:

- State-of-the-art 30mm aluminum tube frame with snap button assembly
- Hardware mounts for a medium sized monitor; max 36"/ 40 lbs
- Top and bottom printed infill panels
- Kit includes: one frame, one dye-sublimated pillowcase zipper graphic, stand-off monitor mount, and one wheeled molded OCL and OCH2 storage case
- Lifetime hardware warranty against manufacturer defects

## dimensions:

Hardware	Graphic
<p>Assembled unit: 112.0604"w x 92.5742"h x 43.4193"d</p> <p>Stand-off monitor mount: 23.6"w x 92.7"h x 26.6"d</p> <p>Approximate weight (includes graphics): 51.5 lbs / 23.4 kgs</p>	<p>Total visual area: 123.125"w x 92"h</p> <p>Stand-off graphic total visual area: Top &amp; bottom: 21"w x 17"h</p> <p>Please be sure to include a 2" bleed around the perimeter of the dye-sublimated graphics and a 1/2" bleed around the perimeter of the PCV graphics.</p>
<p>Shipping</p> <p>Shipping dimensions - ships in two cases: One OCL case: 19"l x 19"w x 56"h One OCH2 case: 52"l x 30"w x 15"h</p> <p>Approximate shipping weight (with cases): 101.5 lbs / 46 kgs</p>	<p>Refer to related graphic template for more information.</p> <p>Visit: <a href="http://www.exhibitors-handbook.com/graphic-templates">www.exhibitors-handbook.com/graphic-templates</a></p>

## additional information:

Graphic materials:  
Dye-sublimated zipper pillowcase fabric,  
3mm white PVC

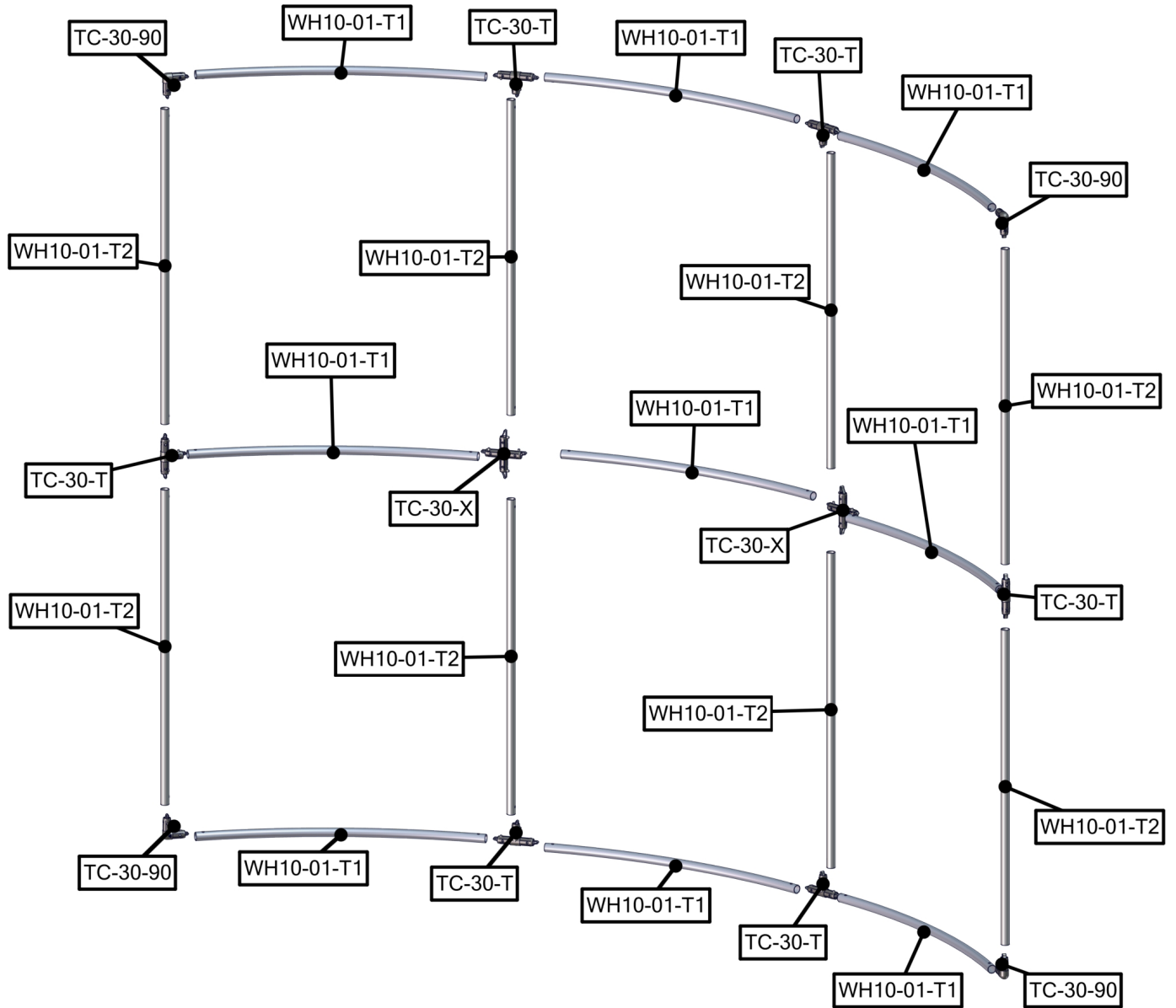
Monitor mount: Max T.V. size is 36"/ 40 lbs

\*Monitor not included

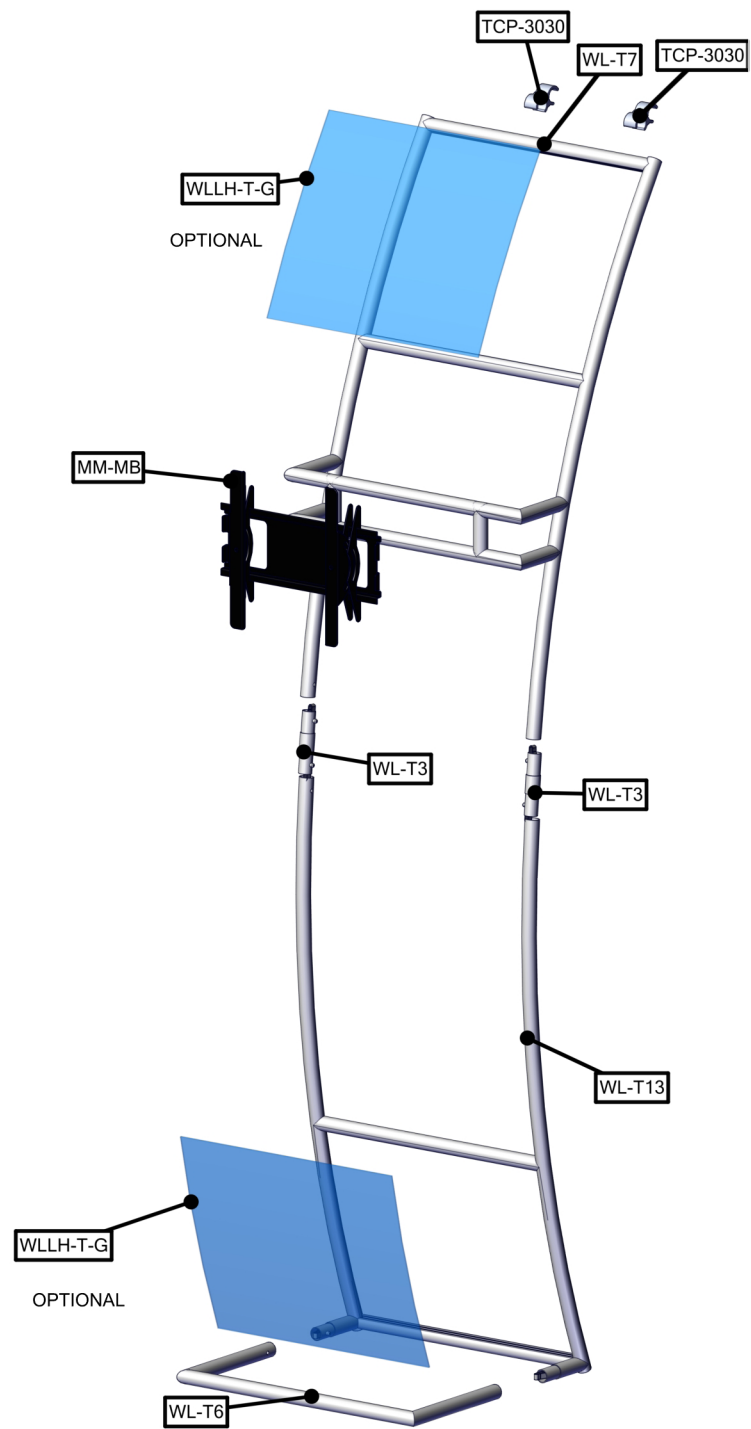


[www.display-setup-animations.com](http://www.display-setup-animations.com)

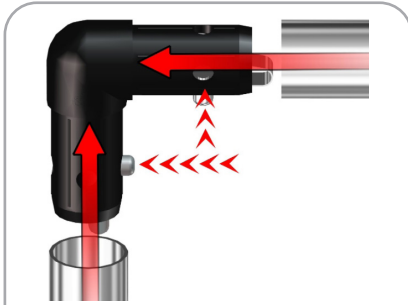
Parts Included		
Part Label	Qty	Part Code
FABRIC GRAPHIC	x1	WH10-01-G
90 DEGREE ELBOW JOINT FOR 30MM TUBING	x4	TC-30-90
T JUNCTION FOR 30MM TUBING	x6	TC-30-T
4 WAY JUNCTION FOR 30MM TUBING	x2	TC-30-X
R2000MM X 30MM TUBE (997MM ARC)	x9	WH10-01-T1
1114MM X 30MM TUBE	x8	WH10-01-T2



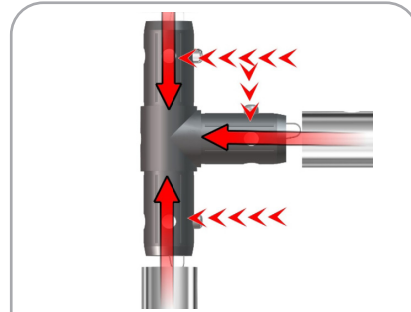
Parts Included		
Part Label	Qty	Part Code
MEDIUM MONITOR BRACKET	x1	MM-MB
PARALLEL TUBE CLAMP FOR 30MM TUBES	x2	TCP-3030
30MM TUBE SECTION	x2	WL-T3
TOP SINTRA GRAPHICS	x2	WLLH-T-G
30MM TUBE SECTION	x1	WL-T13
30MM TUBE SECTION	x1	WL-T6
30MM TUBE SECTION	x1	WL-T7



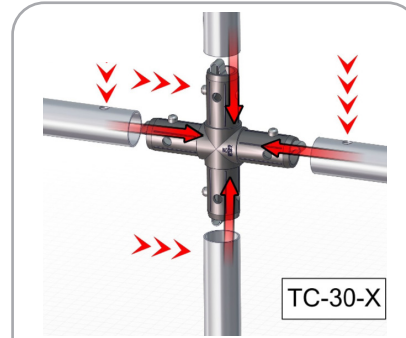
## STEP 1: ASSEMBLE FRAME



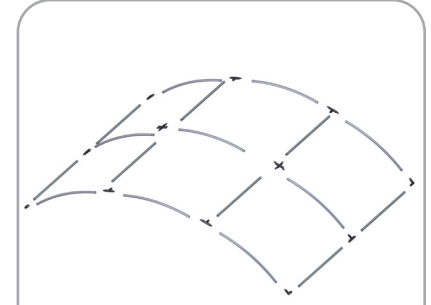
Assemble top frame corners using TC-30-90. Label codes will be on backside of tube. It is best to assemble frame laying flat.



Connect top and bottom sides of frame using TC-30-T by lining up holes with snap buttons.

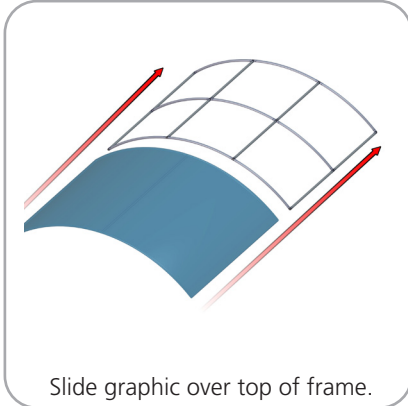


Use TC-30-X to connect middle frame sections; snap on button.

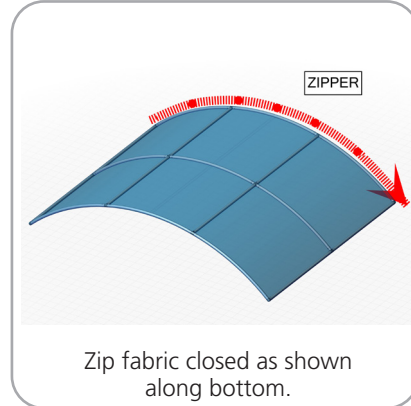


Frame assembly is complete once all sides and middle are connected.

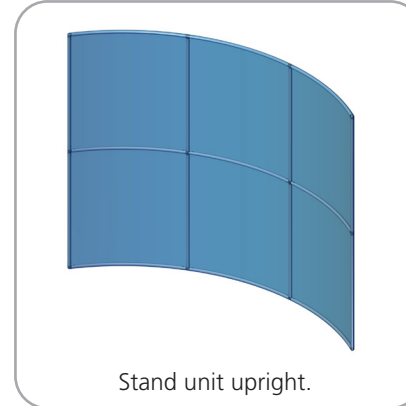
## STEP 2: ATTACH GRAPHIC



Slide graphic over top of frame.

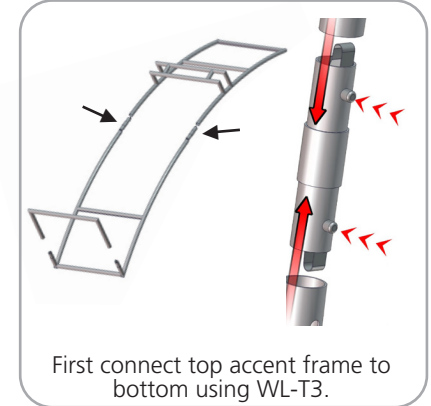


Zip fabric closed as shown along bottom.



Stand unit upright.

## STEP 3: ASSEMBLE LADDER FRAME

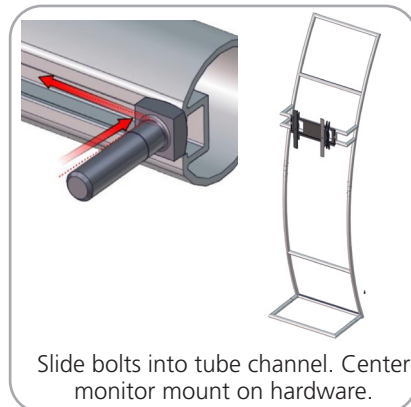


First connect top accent frame to bottom using WL-T3.

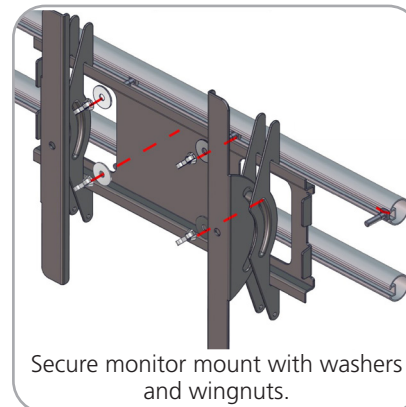
## STEP 4: INSTALL MONITOR MOUNT



Next connect accent frame to base.

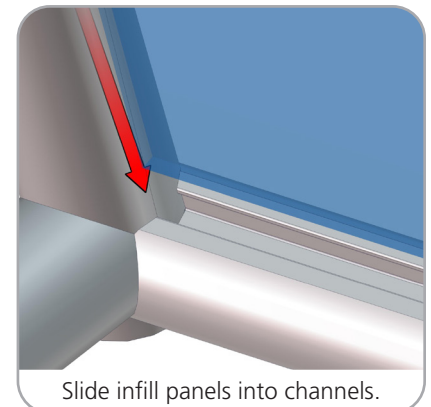


Slide bolts into tube channel. Center monitor mount on hardware.



Secure monitor mount with washers and wingnuts.

## STEP 5: ATTACH GRAPHICS



Slide infill panels into channels.

## STEP 6: ATTACH TO BACKWALL WITH CLAMPS

