

# Formulate 20' Horizontal Curve

## FMLT-WH20-04

Formulate™ is a collection of sophisticated, ergonomically designed exhibit booths. Formulate combines state-of-the-art zipper pillowcase dye-sublimated fabric coverings with advanced lightweight aluminum structures to provide unique design, functionality, and style. The excellence of the Formulate line of displays, hanging structures and products is simply unmatched. Stretch fabric graphics are hand-sewn, durable and dry-cleanable.



## features and benefits:

- State-of-the-art 30mm aluminum tubing with push-button connectors
- Hardware mounts for a medium sized monitor; max 36"/ 40 lbs
- Frame can also be configured\* as a standard 10' backwall (\*requires additional 10' graphic purchase)
- Kit includes: one frame, one dye-sublimated zipper pillowcase graphic, stand-off monitor mount, side table, infill panel graphics, two wheeled molded OCL cases and one OCH2 storage case
- Lifetime hardware warranty against manufacturer defects

## dimensions:

Hardware	Graphic
<p>Assembled unit: 226.729"w x 92.764"h x 38.557" d</p> <p>Stand-off monitor mount with table: 36.3"w x 92.7"h x 28.75" d Countertop dimensions: 20.47"w x 11.81" d</p> <p>Approximate weight (includes graphic): 135 lbs / 61.23 kgs</p>	<p>Total visual area: 250.5"w x 92"h 5740mm(w) x 2324mm(h)</p> <p>Stand-off ladder total visual area: Top &amp; bottom: 21"w x 17"h</p> <p>Please be sure to include a 2" bleed around the perimeter of dye-sublimated graphics and a 1/2" bleed around the perimeter of PVC graphics.</p>
<p>Shipping</p> <p>Shipping dimensions - ships in 3 cases: 2 OCL cases (each): 19"l x 19"w x 56"h 1 OCH2 case: 52"l x 30"w x 15"h</p> <p>Approximate shipping weight (with cases): 205 lbs / 93 kgs</p>	<p>Refer to related graphic template for more information.</p> <p>Visit: <a href="http://www.exhibitors-handbook.com/graphic-templates">www.exhibitors-handbook.com/graphic-templates</a></p>

## additional information:

Graphic material: dye-sublimated zipper pillowcase fabric, 3mm white pvc

Monitor mount: max T.V. size is 36"/ 40 lbs  
\*Kit does not include monitor

Table colors:



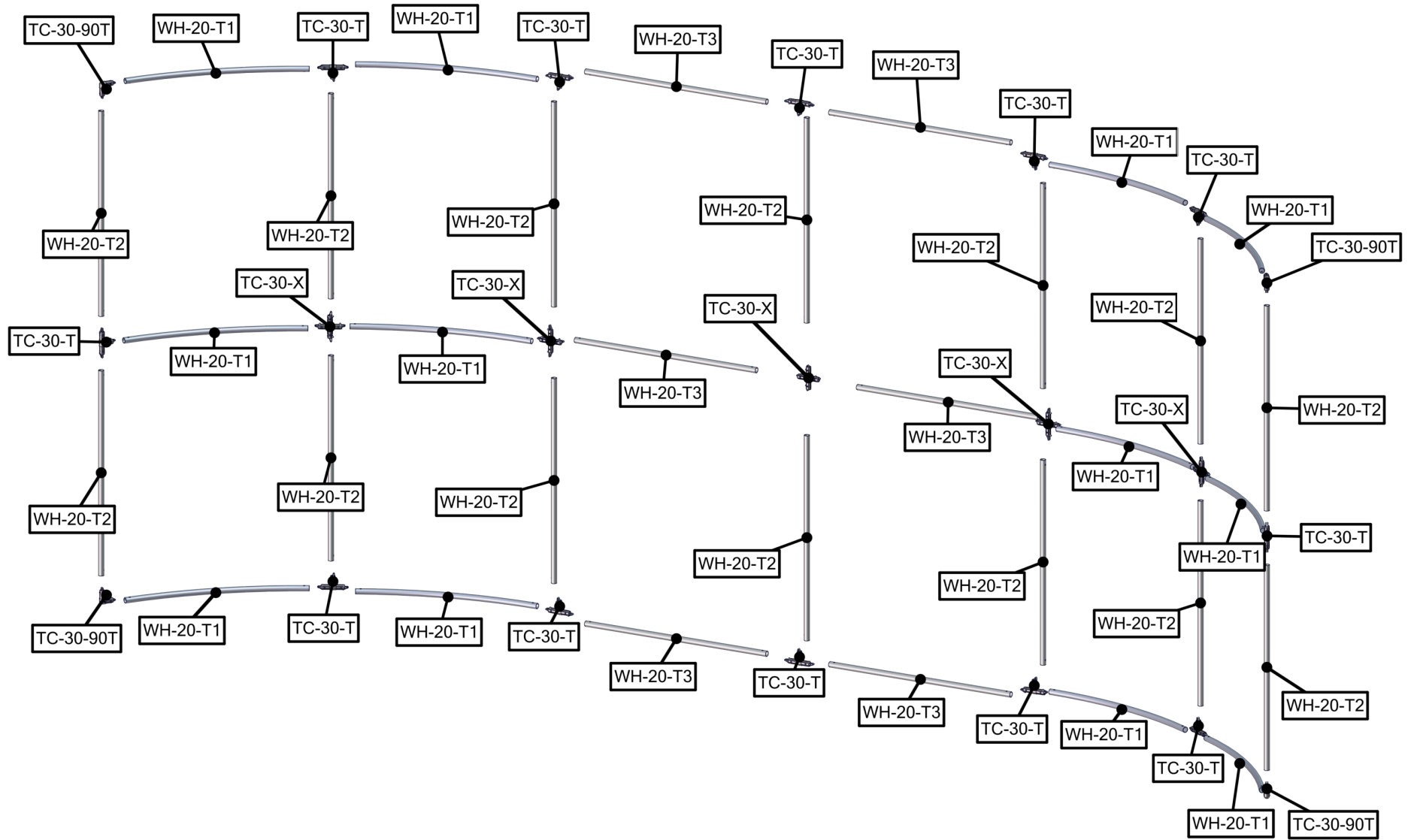
silver black mahogany natural



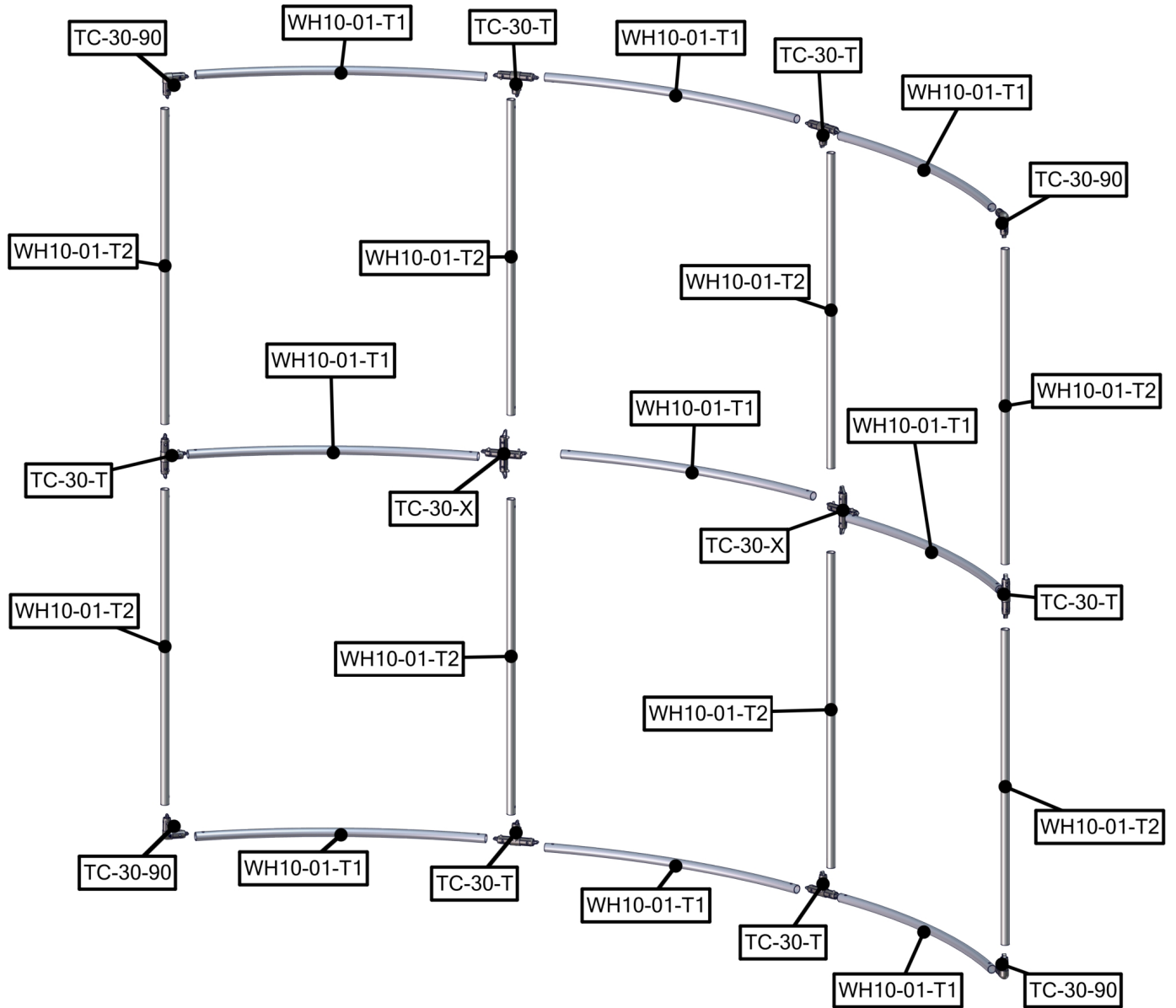
[www.display-setup-animations.com](http://www.display-setup-animations.com)

We are continually improving and modifying our product range and reserve the right to vary the specifications without prior notice. All dimensions and weights quoted are approximate and we accept no responsibility for variance. E&OE. See Graphic Templates for graphic bleed specifications.

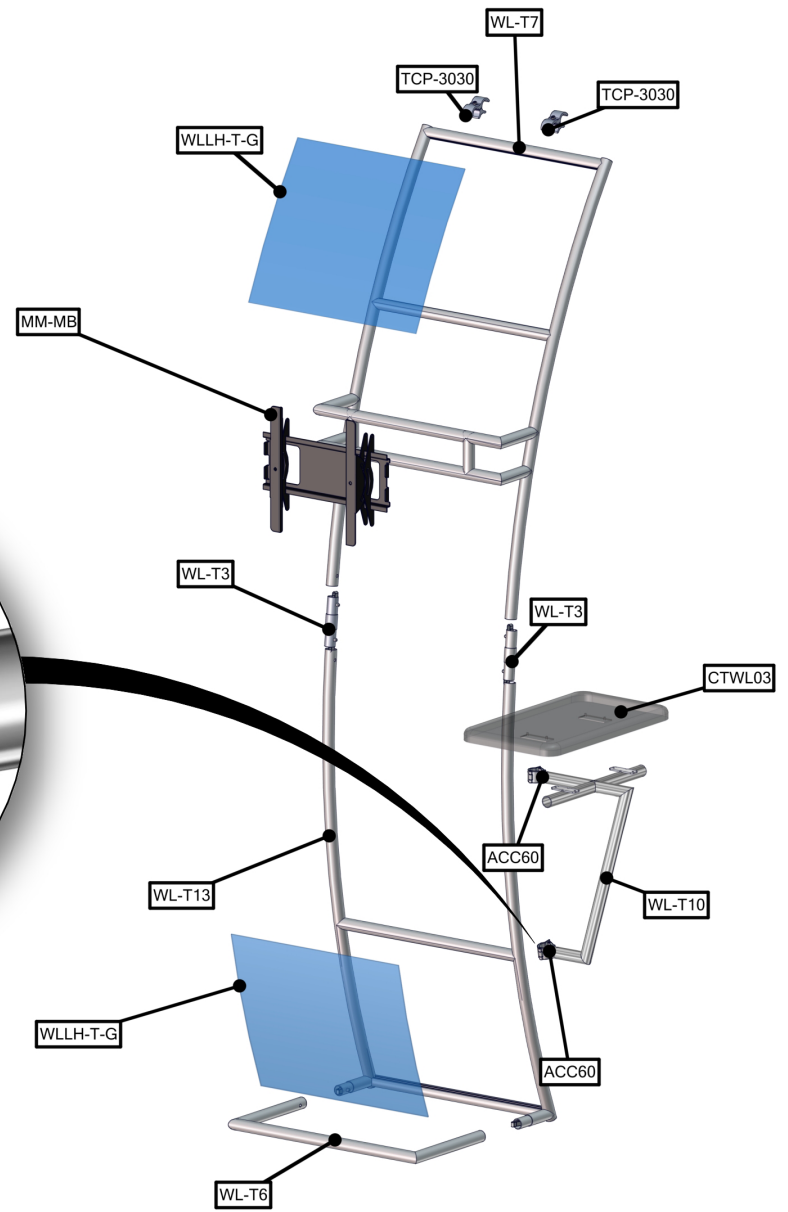
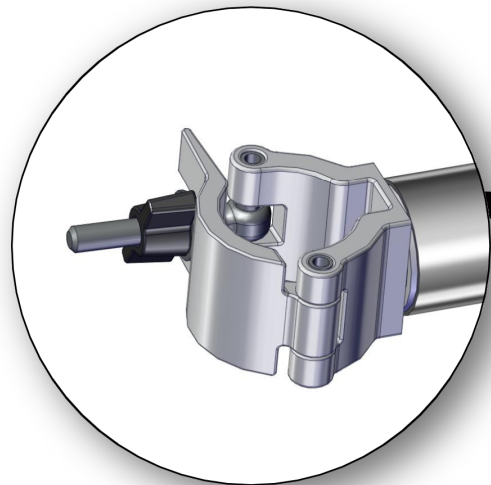
Parts Included		
Part Label	Qty	Part Code
90 DEGREE ELBOW JOINT FOR 30MM TUBING	x4	TC-30-90
T JUNCTION FOR 30MM TUBING	x12	TC-30-T
4 WAY JUNCTION FOR 30MM TUBING	x5	TC-30-X
30MM TUBE SECTION	x12	WH-20-T1
1114MM X 30MM TUBE SECTION	x14	WH-20-T2
1114MM X 30MM TUBE SECTION	x6	WH-20-T3
20' FABRIC GRAPHIC	x1	WH20-01-G



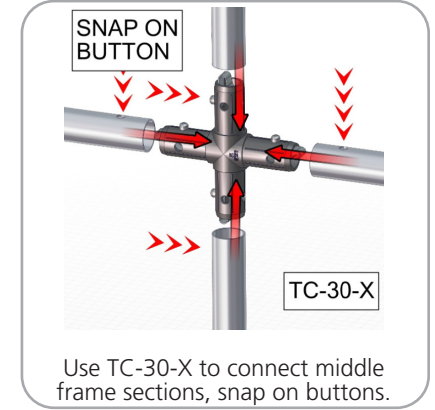
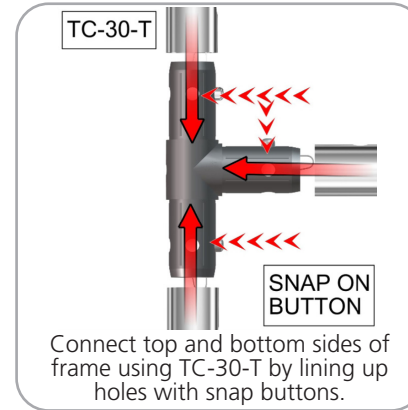
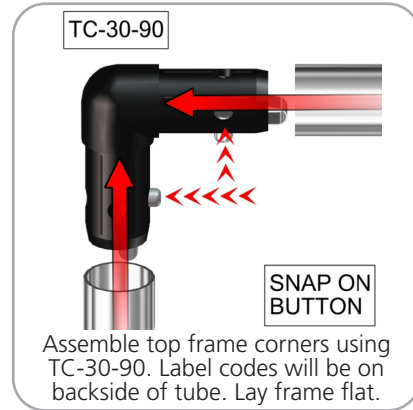
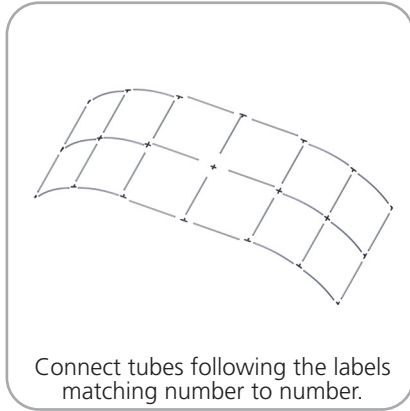
Parts Included		
Part Label	Qty	Part Code
FABRIC GRAPHIC	x1	WH10-01-G
90 DEGREE ELBOW JOINT FOR 30MM TUBING	x4	TC-30-90
T JUNCTION FOR 30MM TUBING	x6	TC-30-T
4 WAY JUNCTION FOR 30MM TUBING	x2	TC-30-X
R2000MM X 30MM TUBE (997MM ARC)	x9	WH10-01-T1
1114MM X 30MM TUBE	x8	WH10-01-T2



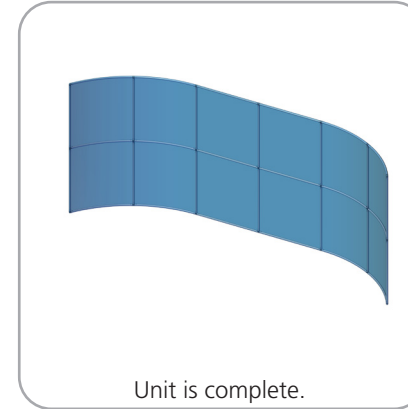
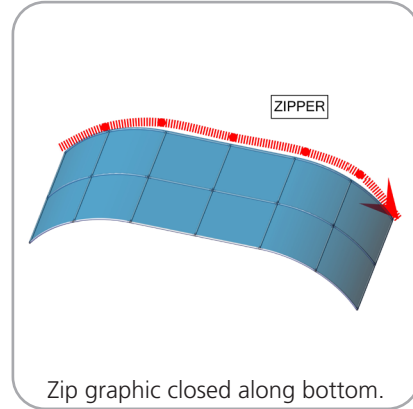
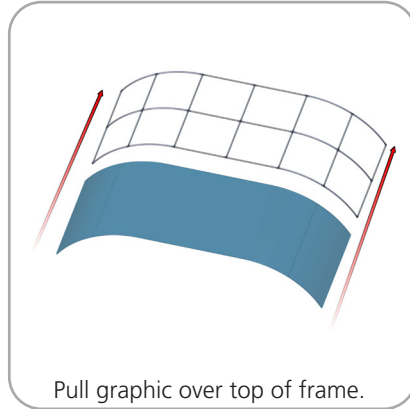
Parts Included		
Part Label	Qty	Part Code
30MM TUBE CLAMP	x2	ACC60
MEDIUM MONITOR BRACKET	x1	MM-MB
520 X 300 X 30 COUNTER	x1	CTWL03
PARALLEL TUBE CLAMP FOR 30MM TUBES	x2	TCP-3030
30MM TUBE SECTION	x2	WL-T3
TOP SINTRA GRAPHICS	x2	WLLH-T-G
30MM TUBE SECTION	x1	WL-T13
30MM TUBE SECTION	x1	WL-T6
30MM TUBE SECTION	x1	WL-T7
RWL-T10	x1	RWL-T10



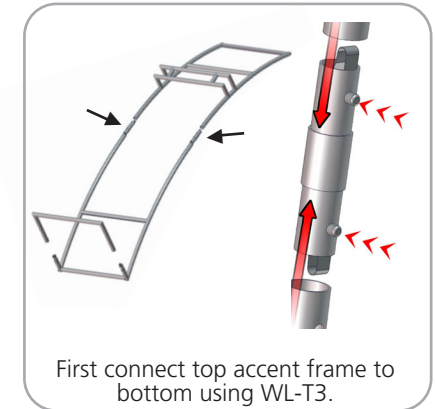
## STEP 1: ASSEMBLE FRAME



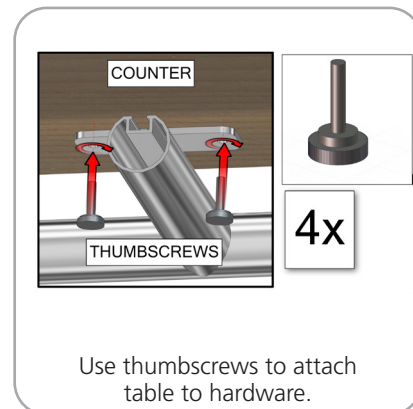
## STEP 2: ATTACH GRAPHIC



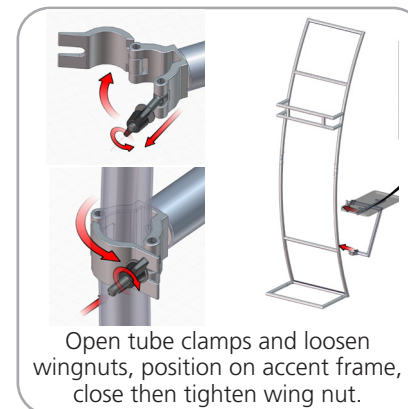
## STEP 3: ASSEMBLE FRAME



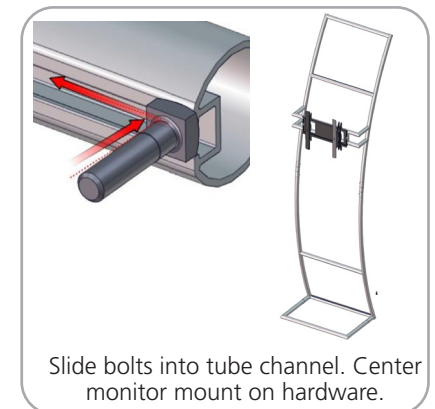
## STEP 4: ATTACH TABLE

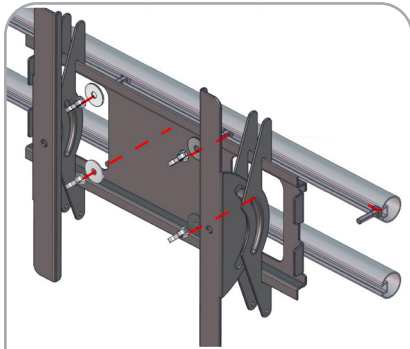


## STEP 5: ATTACH TABLE TO ACCENT FRAME



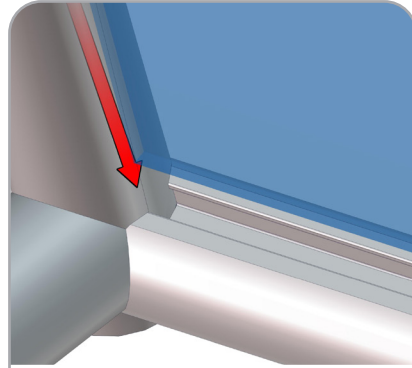
## STEP 6: INSTALL MONITOR MOUNT





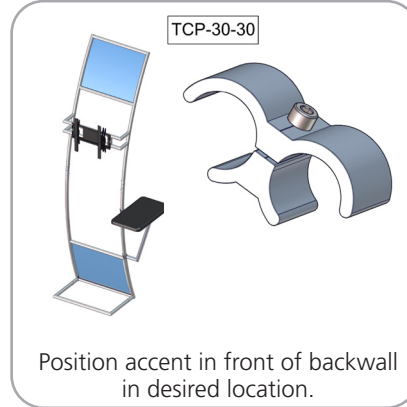
Secure monitor mount with washers and wingnuts.

### STEP 7: ATTACH GRAPHICS

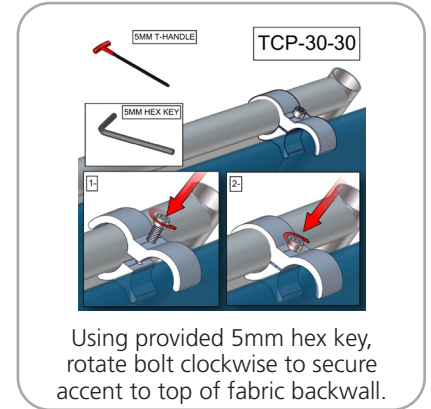


Slide infill panels into channels.

### STEP 8: ATTACH TO BACKWALL WITH CLAMPS



Position accent in front of backwall in desired location.



Using provided 5mm hex key, rotate bolt clockwise to secure accent to top of fabric backwall.